

EOS 4.0 Recessed Tamper Resistant

Installation Instruction Sheet

WARNINGS AND GENERAL INFORMATION

To reduce the risk of death, injury or property damage from fire, electric shock, cuts, abrasions, falling parts and other hazards:

- Service of the equipment must be performed by qualified service personnel.
- Installation and maintenance must be performed by a person familiar with the construction and operation of this product and any hazards involved. All applicable codes and ordinances must be followed.
- Read this document before installing, servicing or maintaining this equipment. These instructions do not cover all installation, service and maintenance situations. If your situation is not covered, or, if you do not understand these instructions or additional information is required, contact Lux Illuminaire or your local agent.
- Read and follow all warnings and instructions provided by the LED manufacturer.
- Before installing, servicing or maintaining this equipment, follow these general precautions. To reduce the risk of electrocution:
- Make sure the equipment is properly grounded.
- Always de-energize the circuit and/or equipment before connecting to, disconnecting from or servicing the equipment.

To prevent luminaire row from over-current:

- By adding the input current of each luminaire section marked on the luminaire, the total current per power feed must not exceed the maximum line wire amperage marked on the luminaire and the power feed cord/wire amperage rating whichever is the least.

To reduce the risk of fire:

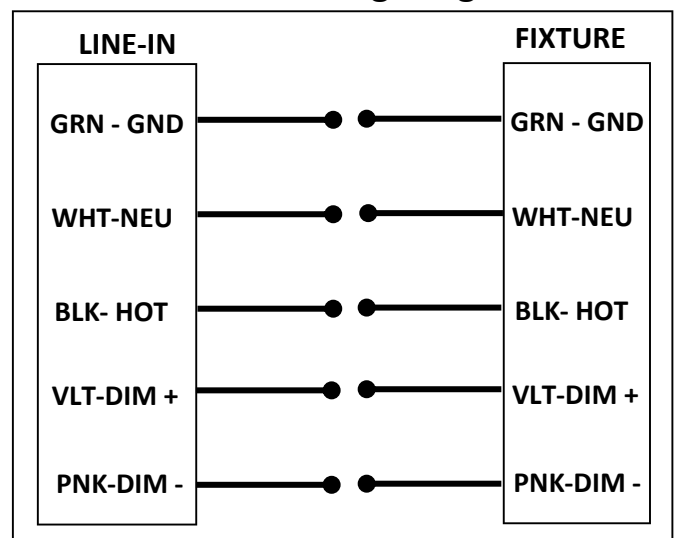
- Keep material away that can burn from hot LEDs.
- Make sure LED boards are correctly installed.
- Use supply conductors with a minimum installation temperature rating as specified on equipment.

To reduce the risk of personal injury from cuts, abrasions or falling parts:

- Wear gloves to prevent cuts or abrasions from sharp edges when removing from carton, handling and maintaining this equipment.
- Do not use abrasive materials, glass cleaners or other solvents on reflector or lens. These substances may damage equipment and cause parts to eventually break and fall.
- Do not install a damaged fixture.

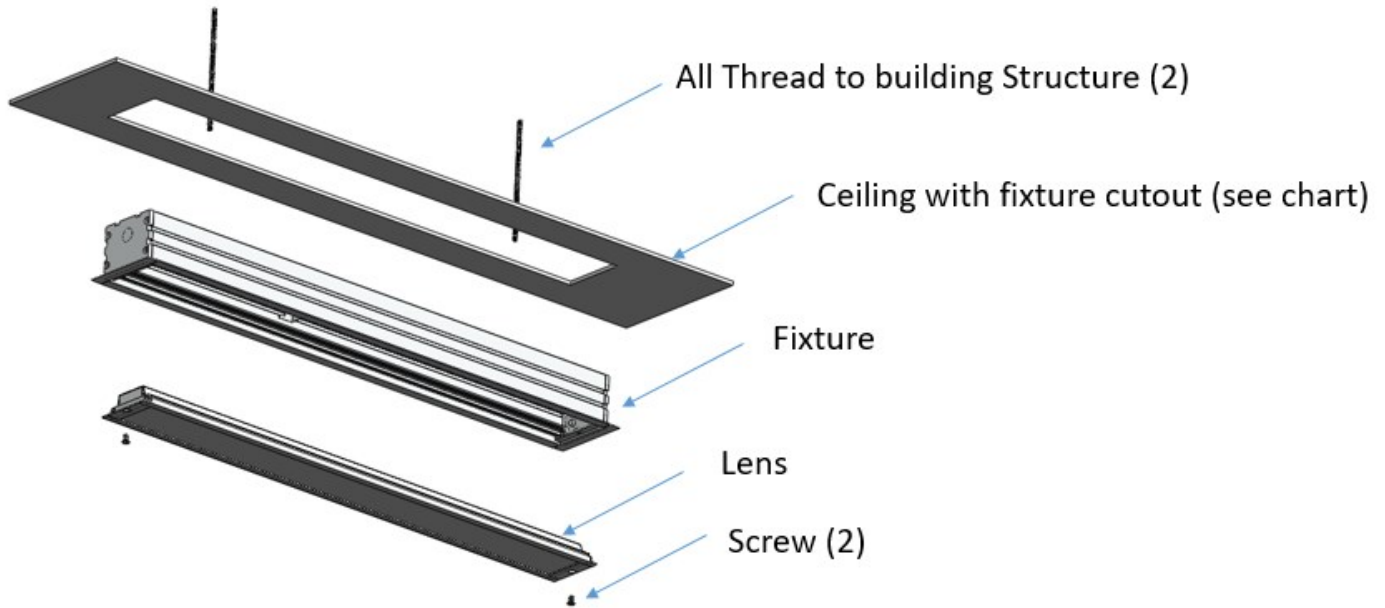
For special circuitry consult factory	
LINE WIRE COLOR	CIRCUIT DESCRIPTION
BLK	CIRCUIT A—HOT
WHT	CIRCUIT A & B— NEUTRAL
RED	CIRCUIT B— HOT
GRN	GROUNDING
VLT	DIMMING CONTROL 1
PNK	DIMMING CONTROL 2
ORG	EHS or EHF—HOT
WHT/ORG	EHS or EHF— NEUTRAL

General Wiring Diagram

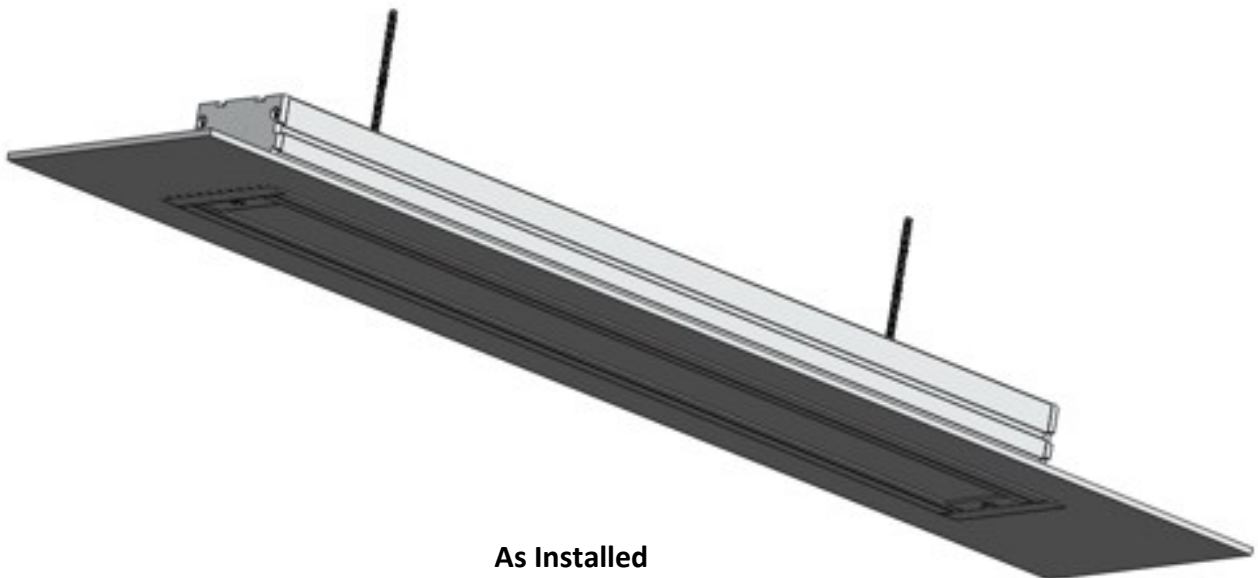


EOS 4.0 Recessed Tamper Resistant Installation Instruction Sheet

OVERVIEW OF MOUNTING SYSTEM



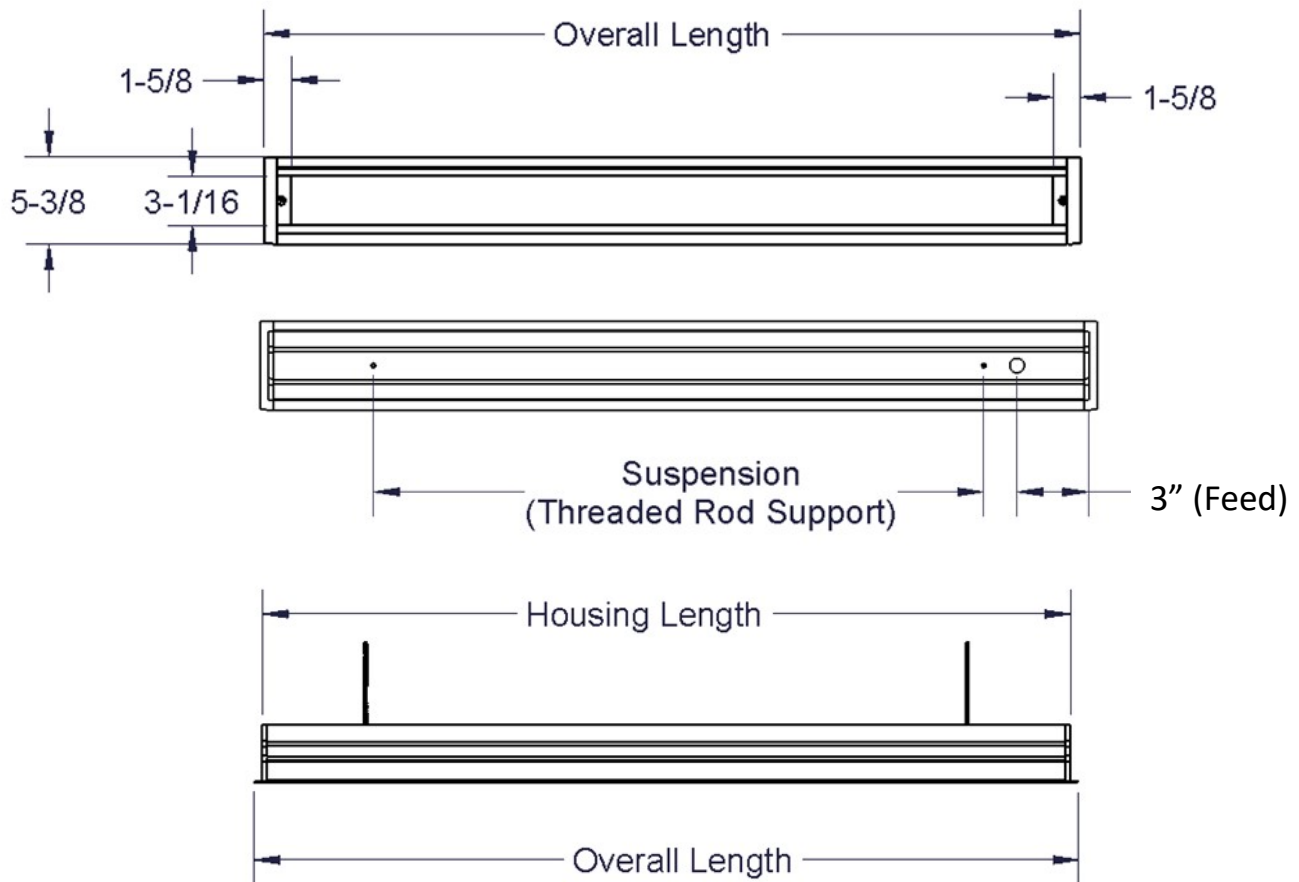
- 1/4" All Thread (supplied by others) must be mounted to the dimensions specified on mounting chart.
- The ceiling "Cut opening" must be cut to the dimensions specified on mounting chart.
- Remove Lens (2 screws) with provided tamper resistant bit
- Insert All Thread into holes on fixture and fasten with nut until fixture is snug against the ceiling.
- Run supply wire thru conduit opening feed hole and attach to thru harness with supplied adapter wiring.
- For Joining fixtures mount the same way placing gasket between fixtures and using provided screws to tighten fixtures together. Place pipe nipple in thru hole and tighten each side.
- After all wiring connections are made and fixture is snug to the ceiling with no gaps, replace lens assembly with 2 screws.



As Installed

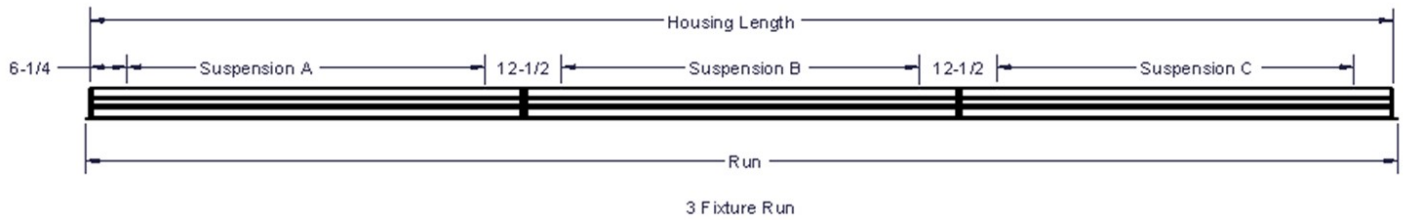
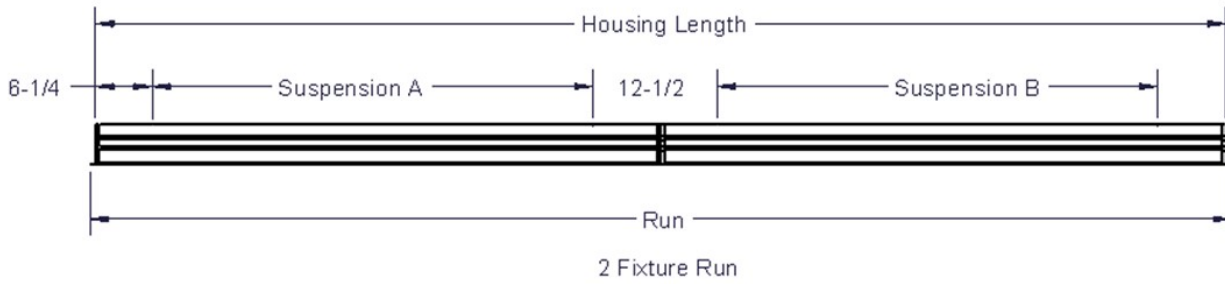
EOS 4.0 Recessed Tamper Resistant

Installation Instruction Sheet



Fixture	Overall Length	Housing Length	Suspension	Cut Opening
2 Foot Individual	26.23"	25.23"	15.73"	25.5" long 4.4" wide
3 Foot Individual	38.23"	37.23"	24.73"	37.5" long 4.4" wide
4 Foot Individual	50.23"	49.23"	36.73"	49.5" long 4.4" wide

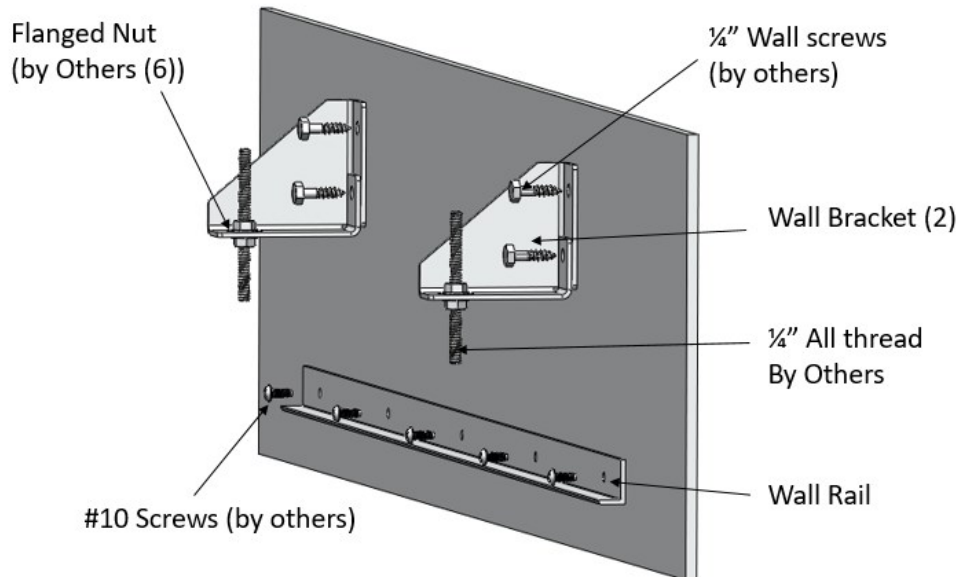
EOS 4.0 Recessed Tamper Resistant Installation Instruction Sheet



	Overall Length	Housing Length	Suspension A	Suspension B	Suspension C	Window Cut Width	Window Cut Length
5 Ft Run (3' & 2')	63.46"	62.46"	24.73"	15.73"	N/A	4.4"	62.75"
6 Ft Run (3' & 3')	75.46"	74.46"	24.73"	24.73"	N/A	4.4"	74.75"
7 Ft Run (4' & 3')	87.46"	86.46"	36.73"	24.73"	N/A	4.4"	86.75"
8 Ft Run (4' & 4')	99.46"	98.46"	36.73"	36.73"	N/A	4.4"	98.75"
9 Ft Run (3' & 3' & 3')	111.46"	110.46"	24.73"	24.73"	24.73"	4.4"	110.75"
10 Ft Run (3' & 4' & 3')	123.46"	122.46"	24.73"	36.73"	24.73"	4.4"	122.75"
11 Ft Run (4' & 3' & 4')	135.46"	134.46"	36.73"	24.73"	36.73"	4.4"	134.75"
12 Ft Run (4' & 4' & 4')	147.46"	146.46"	36.73"	36.73"	36.73"	4.4"	146.75"

EOS 4.0 Recessed Tamper Resistant Installation Instruction Sheet

OVERVIEW OF PERIMETER MOUNTING SYSTEM



- 1/4" All Thread (supplied by others) must be mounted to the dimensions specified on mounting chart (Page 3)
- The ceiling "Cut opening" must be cut to the dimensions specified on mounting chart.
- Mount Wall Rail to wall flush with ceiling.
- Remove Lens (2 screws) with provided tamper resistant bit
- Insert All Thread into holes on fixture and fasten with nut until fixture is snug against the ceiling.
- Run supply wire thru conduit opening feed hole and attach to thru harness with supplied adapter wiring.
- For Joining fixtures mount the same way placing gasket between fixtures and using provided screws to tighten fixtures together. Place pipe nipple in thru hole and tighten each side.
- After all wiring connections are made and fixture is snug to the ceiling with no gaps, replace lens assembly with 2 screws.

