

Installation Instruction Sheet

Linear Fixtures

INSTALLATION INSTRUCTIONS FOR JOINING AND SUSPENDING FIXTURES

WARNING

To reduce the risk of death, injury or property damage from fire, electric shock, cuts, abrasions, falling parts and other hazards:

- Service of the equipment must be performed by qualified service personnel.
- Installation and maintenance must be performed by a person familiar with the construction and operation of this product and any hazards involved. All applicable codes and ordinances must be followed.
- Read this document before installing, servicing or maintaining this equipment. These instructions do not cover all installation, service and maintenance situations. If your situation is not covered, or, if you do not understand these instructions or additional information is required, contact Lux Illuminaire or your local agent.
- Read and follow all warnings and instructions provided by the LED manufacturer.

WARNING

- Before installing, servicing or maintaining this equipment, follow these general precautions. To reduce the risk of electrocution:
- Make sure the equipment is properly grounded.
- Always de-energize the circuit and/or equipment before connecting to, disconnecting from or servicing the equipment.

To prevent luminaire row from over-current:

- By adding the input current of each luminaire section marked on the luminaire, the total current per power feed must not exceed the maximum line wire amperage marked on the luminaire and the power feed cord/wire amperage rating whichever is the least.

To reduce the risk of fire:

- Keep material away that can burn from hot LEDs.
- Make sure LED boards are correctly installed.
- Use supply conductors with a minimum installation temperature rating as specified on equipment.

To reduce the risk of personal injury from cuts, abrasions or falling parts:

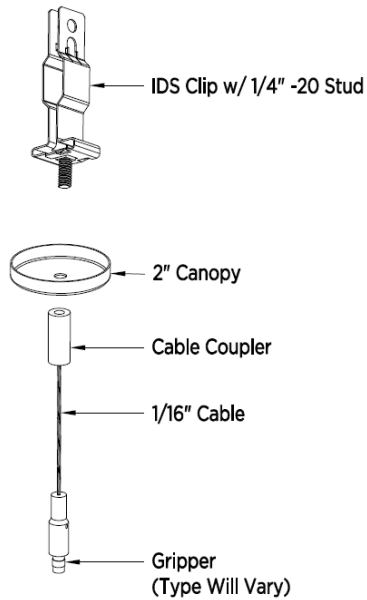
- Wear gloves to prevent cuts or abrasions from sharp edges when removing from carton, handling and maintaining this equipment.
- Do not use abrasive materials, glass cleaners or other solvents on reflector or lens. These substances may damage equipment and cause parts to eventually break and fall.
- Do not install a damaged fixture.

EOS Wet Location LED Pendant

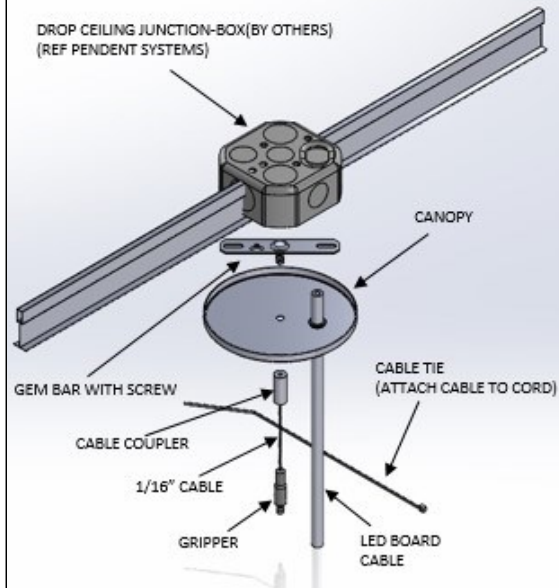
Typical Mounting Configurations

Linear Fixtures

Drop Ceiling System (Non Feed)

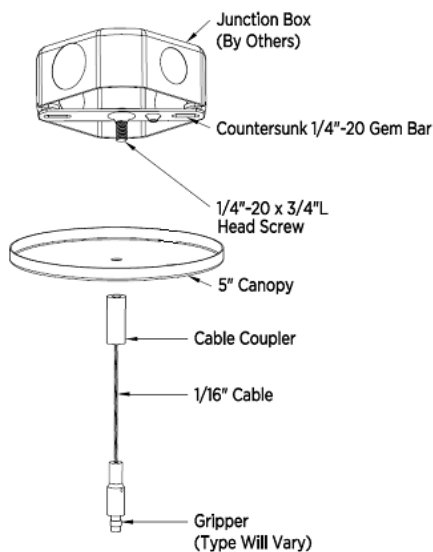


Drop Ceiling System (Feed)

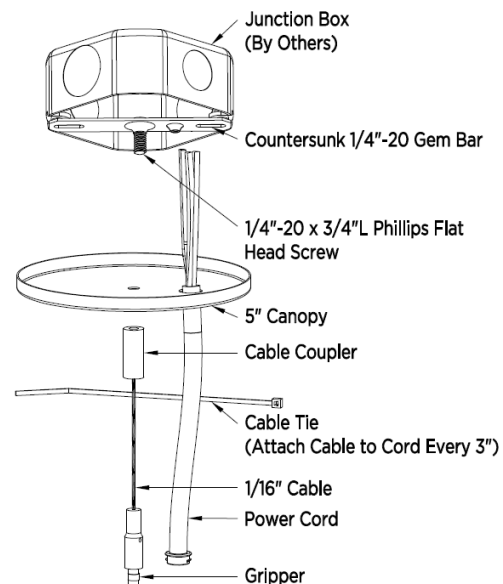


NOTE: Canopy with feed must be sealed with waterproof sealant for wet locations.

Hard Ceiling System (Non Feed)



Hard Ceiling System (Feed)

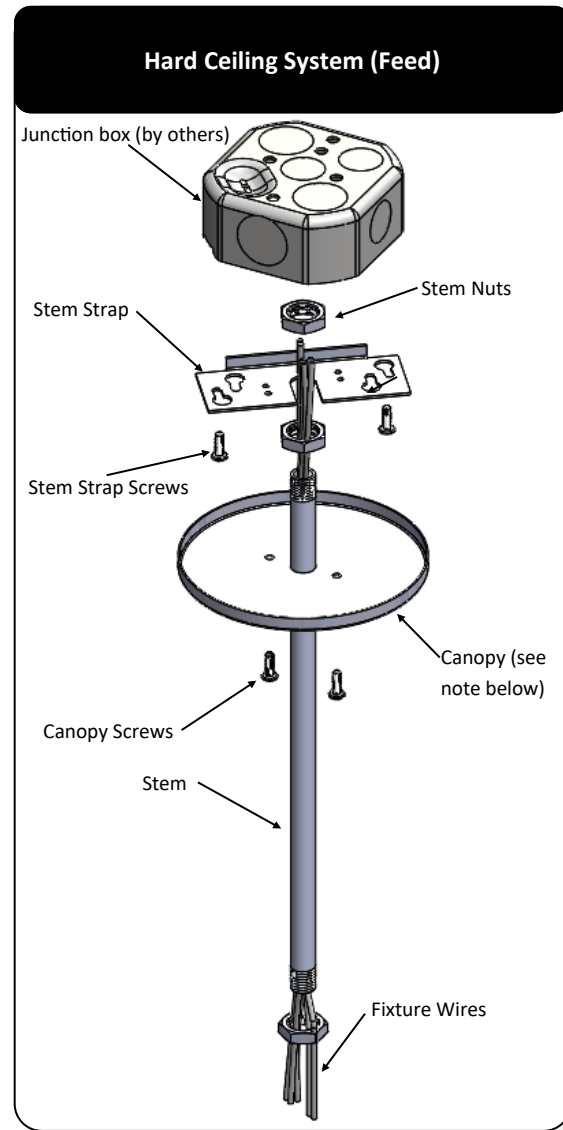
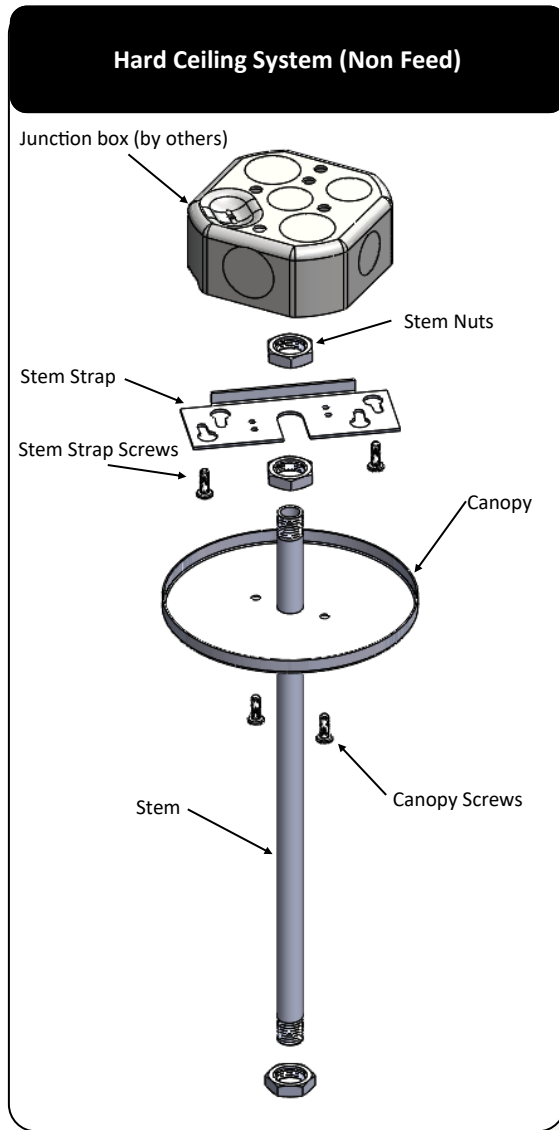


NOTE: Canopy with feed must be sealed with waterproof sealant for wet locations.

EOS Wet Location LED Pendant

Typical Mounting Configurations

Linear Fixtures



NOTE: Canopy with feed must be sealed with waterproof sealant for wet locations.

For special circuitry consult factory	
LINE WIRE COLOR	CIRCUIT DESCRIPTION
BLK	CIRCUIT A—HOT
WHT	CIRCUIT A & B— NEUTRAL
RED	CIRCUIT B— HOT
GRN	GROUNDING
VLT	DIMMING CONTROL 1
PINK OR GRY	DIMMING CONTROL 2
ORG	EHS or EHF—HOT
WHT/ORG	EHS or EHF— NEUTRAL

POWER FEED CORD COLOR	
14x3 BLK/WHT/GRN	CIRCUIT A & EMERGENCY
14x4 BLK/WHT/GRN/RED	CIRCUIT B, OR CIRCUIT A W/ EHS
18x5 BLK/WHT/GRN/VLT/GRY OR PINK	CIRCUIT A & EMERGENCY & DIM

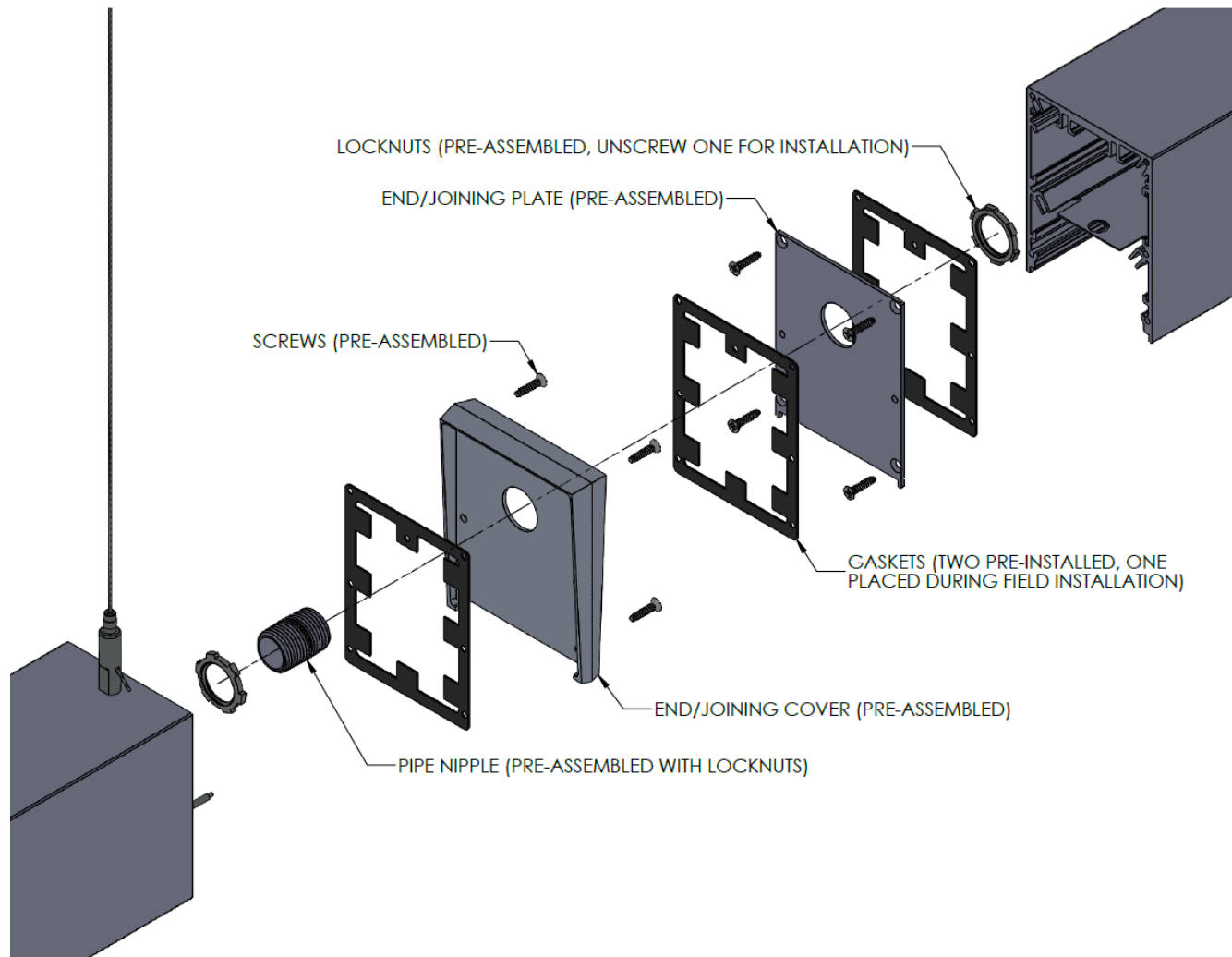
EOS Wet Location LED Pendant

Linear Fixtures

INSTALLATION INSTRUCTIONS FOR JOINING AND SUSPENDING FIXTURES

***DO NOT MAKE JOINT CONNECTIONS BEFORE HANGING, OR BUILD CONFIGURATIONS ON THE GROUND! EACH PIECE MUST BE HUNG INDIVIDUALLY!**

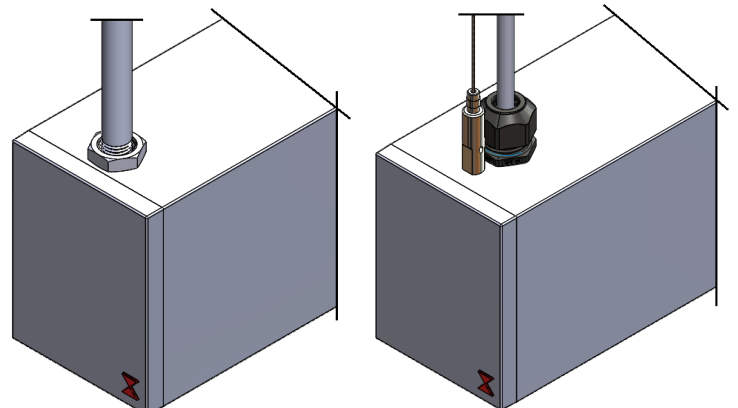
Overview of joining components (Note: Some components are pre-assembled at the factory)



Screw cable gripper or stem into the provided threaded hole or threaded stud at the top of the fixture.

For stem suspension use the included locknut to secure the stem.

For cable suspension adjust fixture length from ceiling with cable gripper.



EOS Wet Location LED Pendant

Linear Fixtures

INSTALLATION INSTRUCTIONS FOR JOINING AND SUSPENDING FIXTURES

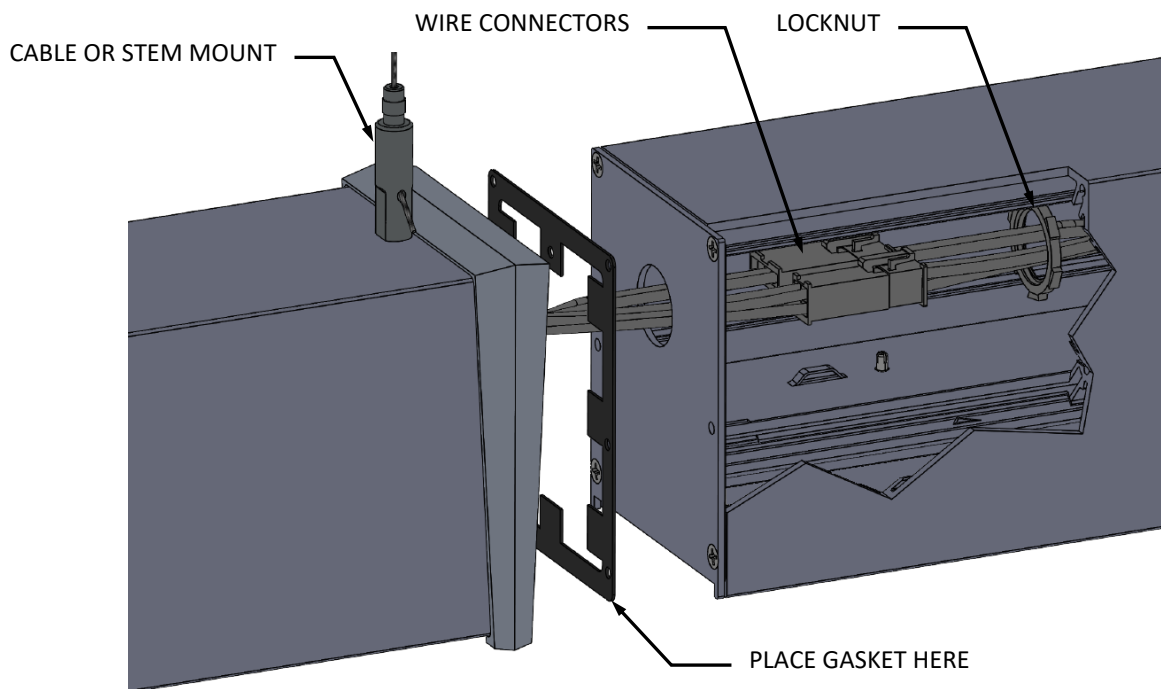
Pins are used to align the fixtures at each joint in a run and the pipe nipple and locknuts are used to fasten two fixtures together at each joint.

To access the space needed for wiring and joining, the lens and reflector (with LED modules) need to be removed. Use the included suction cup to remove the lens. The reflector can be removed by unscrewing the screws securing it, lifting it out of the housing, and unplugging the orange wire disconnect.

Place the included gasket into the area between the two fixtures to be joined.

Remove one locknut from the pipe nipple. Pull the end of the wire harness in one joining fixture through the large hole in the joining plate of the other joining fixture. Place locknut onto wiring harness pulled through the joining plate. Plug in wire connectors of the two wiring harnesses.

Push fixtures together and secure the joint by tightening the locknut back onto the pipe nipple. Ensure locknuts are snug and the gasket in the joining area is compressed to provide a watertight seal.



Re-install reflector and lens, being careful not to pinch any wires underneath the reflector.

Attach via cable suspension or stem mount to ceiling or grid. See mounting configuration page for mounting components.

IMPORTANT: Canopy must be sealed to the ceiling using watertight sealant (supplied by others) to complete the wet location installation.

