

## Installation Instruction Sheet

### Linear Fixtures

#### INSTALLATION INSTRUCTIONS FOR HUB FIXTURE HANGING AND JOINING

##### WARNING

To reduce the risk of death, injury or property damage from fire, electric shock, cuts, abrasions, falling parts and other hazards:

- Service of the equipment must be performed by qualified service personnel.
- Installation and maintenance must be performed by a person familiar with the construction and operation of this product and any hazards involved. All applicable codes and ordinances must be followed.
- Read this document before installing, servicing or maintaining this equipment. These instructions do not cover all installation, service and maintenance situations. If your situation is not covered, or, if you do not understand these instructions or additional information is required, contact Lux Illuminaire or your local agent.
- Read and follow all warnings and instructions provided by the LED manufacturer.

##### WARNING

- Before installing, servicing or maintaining this equipment, follow these general precautions. To reduce the risk of electrocution:
- Make sure the equipment is properly grounded.
- Always de-energize the circuit and/or equipment before connecting to, disconnecting from or servicing the equipment.

**NOTICE**—This equipment has not been evaluated for compliance with Article 700 of the National Electrical Code ANSI/NFPA 70”, or the equivalent:

- Identification label of a multiple driver box fixture contains electrical requirements for the complete system (all boxes).

To prevent luminaire row from over-current:

- By adding the input current of each luminaire section marked on the luminaire, the total current per power feed must not exceed the maximum line wire amperage marked on the luminaire and the power feed cord/wire amperage rating whichever is the least.

To reduce the risk of fire:

- Keep material away that can burn from hot LEDs.
- Make sure LED boards are correctly installed.
- Use supply conductors with a minimum installation temperature rating as specified on equipment.

To reduce the risk of personal injury from cuts, abrasions or falling parts:

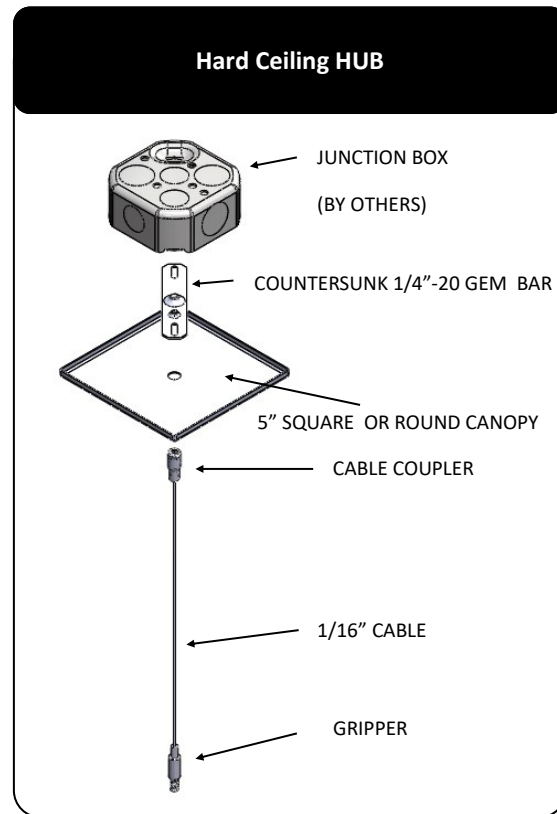
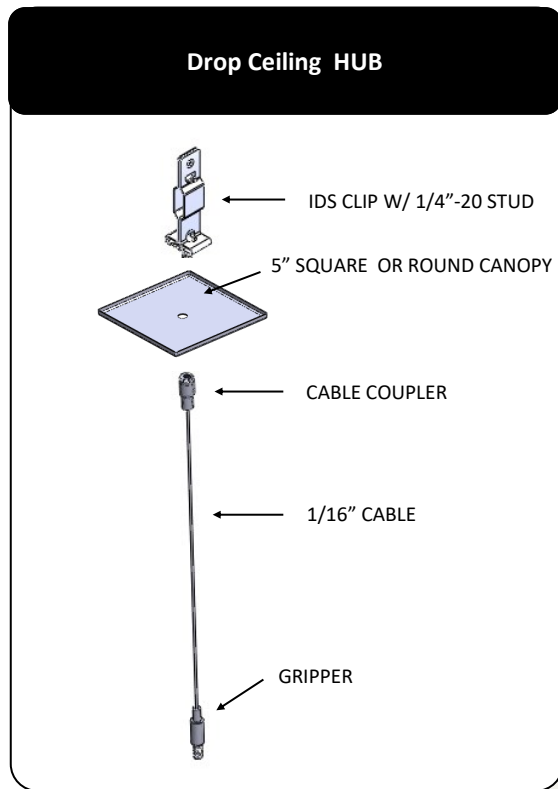
- Wear gloves to prevent cuts or abrasions from sharp edges when removing from carton, handling and maintaining this equipment.
- Do not use abrasive materials, glass cleaners or other solvents on reflector or lens. These substances may damage equipment and cause parts to eventually break and fall.
- Do not install a damaged fixture.

Indirect Driver Circuitry	
LINE WIRE COLOR	CIRCUIT DESCRIPTION
BLK	HOT
WHT	NEUTRAL
GRN	GROUNDING
VLT	DIMMING CONTROL 1
PINK OR GRY	DIMMING CONTROL 2
WHT/RED	LED +
WHT/BLUE	LED -

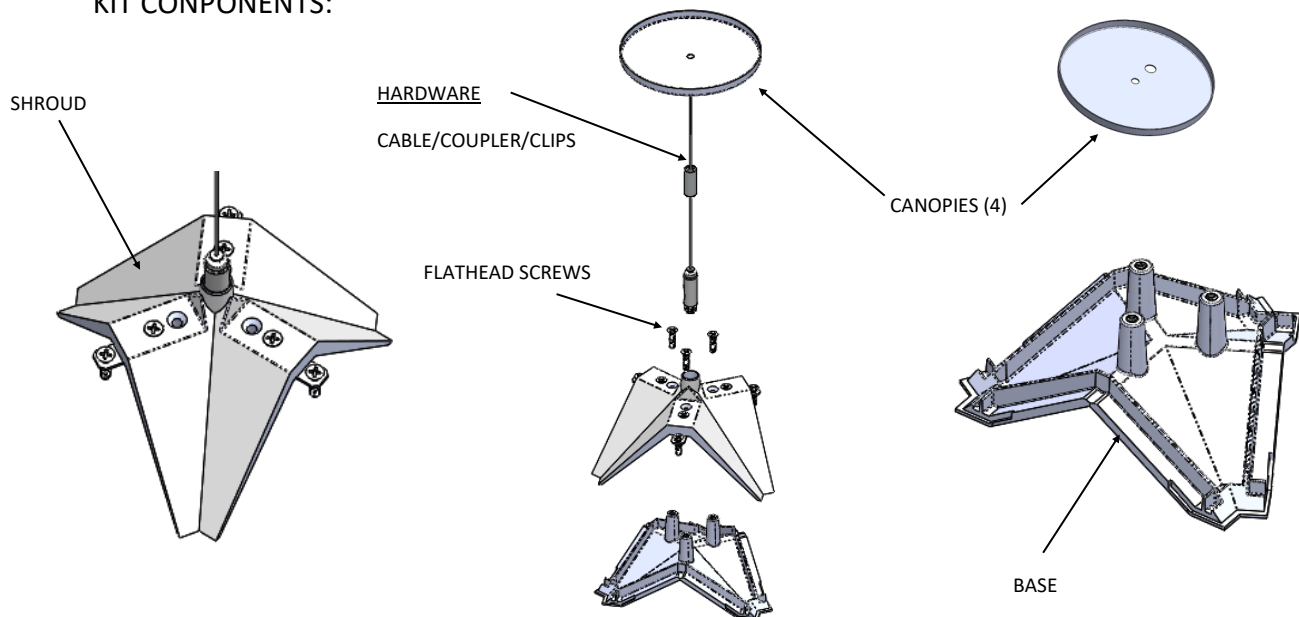
Direct Driver Circuitry	
WIRE COLOR	CIRCUIT DESCRIPTION
BLK	HOT
WHT	NEUTRAL
GRN	GROUNDING
VLT	DIMMING CONTROL 1
PINK OR GRY	DIMMING CONTROL 2
RED	LED +
BLUE	LED -

## Typical Mounting Configurations

### Linear Fixtures



### KIT COMPONENTS:



## Installation Instruction Sheet

### Linear Fixtures

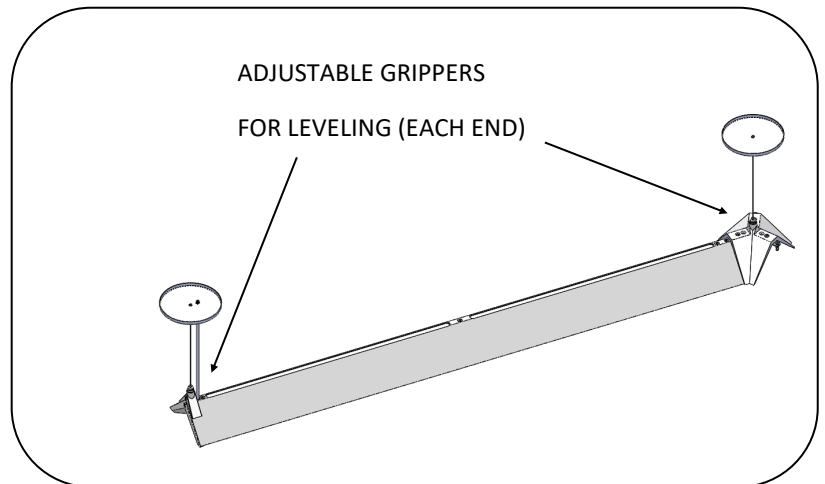
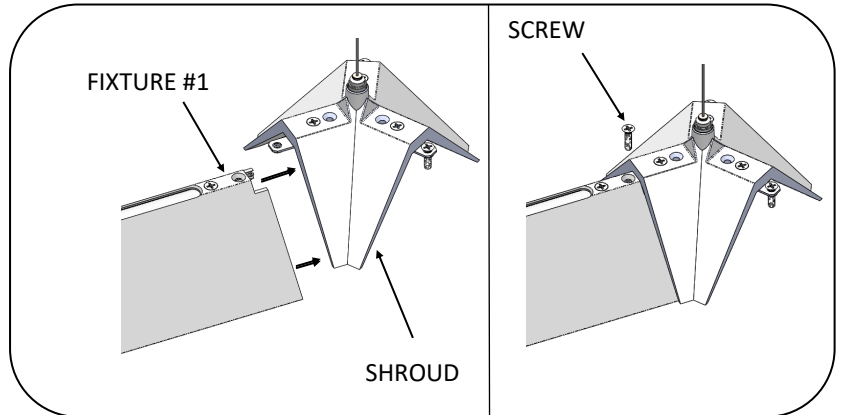
#### INSTALLATION INSTRUCTIONS

##### ATTACH SHROUD ON FIXTURE:

Slide Shroud into the end of fixture #1 and fasten with flathead screws

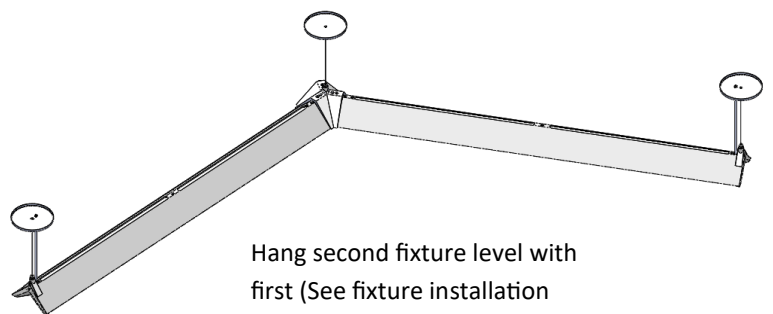
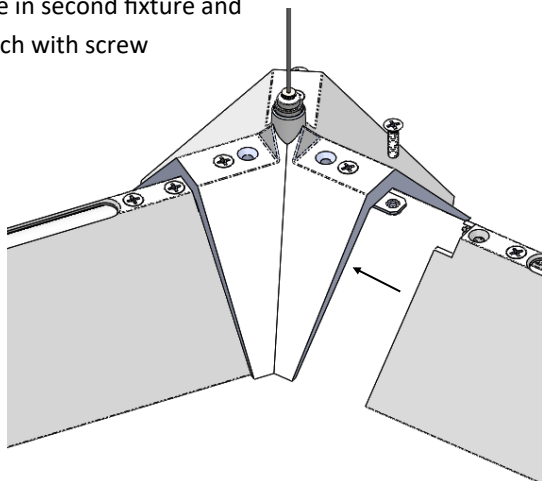
**\*DO NOT MAKE JOINT CONNECTIONS BEFORE HANGING, OR BUILD CONFIGURATIONS ON THE GROUND! EACH PIECE MUST BE HUNG INDIVIDUALLY!**

INSTALL FIXTURE #1 WITH SHROUD TO CEILING (SEE FIXTURE INSTALLATION INSTRUCTIONS)



ATTACH FIXTURE #2 FIXTURE TO SHROUD: Repeat as shown above.

Slide in second fixture and attach with screw



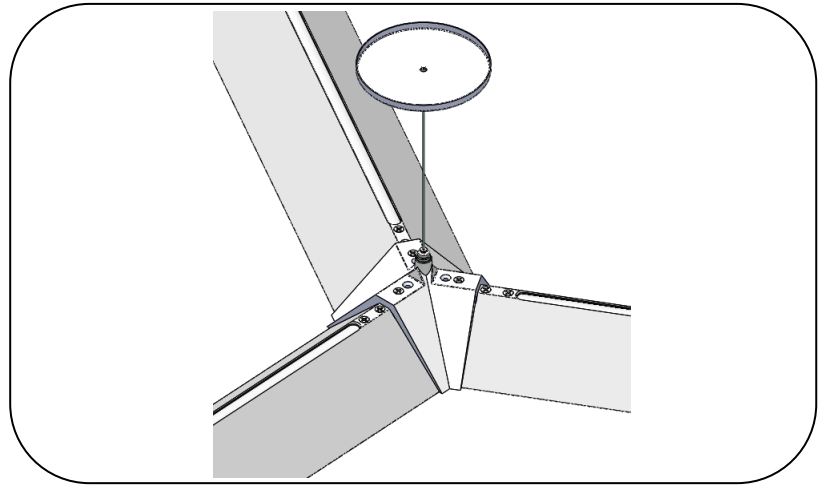
## Installation Instruction Sheet

Linear Fixtures

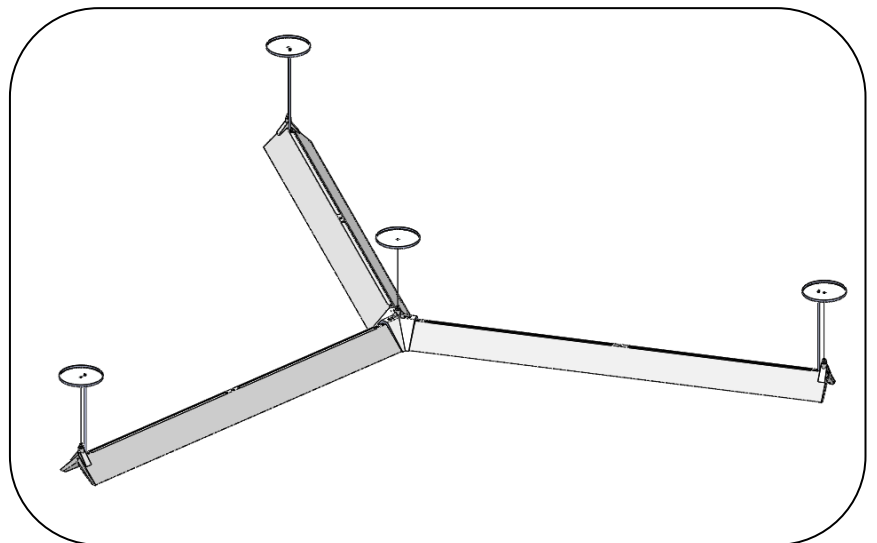
### INSTALLATION INSTRUCTIONS

ATTACH FIXTURE #3 FIXTURE TO SHROUD:

Repeat as shown on prior page.



Hang third fixture level with others (See fixture installation Instructions)



ATTACH BASE TO SHROUD:

