

## Installation Instruction Sheet

### Linear Fixtures

#### INSTALLATION INSTRUCTIONS FOR JOINING AND HANGING FIXTURES

##### WARNING

To reduce the risk of death, injury or property damage from fire, electric shock, cuts, abrasions, falling parts and other hazards:

- Service of the equipment must be performed by qualified service personnel.
- Installation and maintenance must be performed by a person familiar with the construction and operation of this product and any hazards involved. All applicable codes and ordinances must be followed.
- Read this document before installing, servicing or maintaining this equipment. These instructions do not cover all installation, service and maintenance situations. If your situation is not covered, or, if you do not understand these instructions or additional information is required, contact your local distributor.
- Read and follow all warnings and instructions provided by the manufacturer.

##### WARNING

- Before installing, servicing or maintaining this equipment, follow these general precautions to reduce the risk of electrocution:
- Make sure the equipment is properly grounded.
- Always de-energize the circuit and/or equipment before connecting to, disconnecting from or servicing the equipment.

To prevent luminaire row from over-current:

- By adding the input current of each luminaire section marked on the luminaire, the total current per power feed must not exceed the maximum line wire amperage marked on the luminaire and the power feed cord/wire amperage rating, whichever is the least.

To reduce the risk of fire:

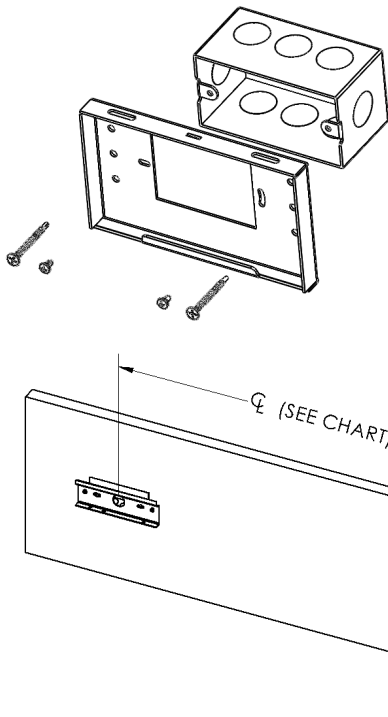
- Keep flammable materials away from hot LEDs.
- Make sure LED boards are correctly installed.
- Use supply conductors with a minimum installation temperature rating as specified on equipment.

To reduce the risk of personal injury from cuts, abrasions or falling parts:

- Wear gloves to prevent cuts or abrasions from sharp edges when removing from carton, handling and maintaining this equipment.
- Do not use abrasive materials, glass cleaners or other solvents on reflector or lens. These substances may damage equipment and cause parts to eventually break and fall.
- Do not install a damaged fixture.

## Typical Mounting Configuration

### Linear Fixtures



1. INSTALL 2" X 4" SWITCH BOX (NOT PROVIDED) FOR POWER FEED.

USE CHALK LINE OR LASER TO MARK POSITION OF OTHER BRACKETS FOR FIXTURE OR ROW OF FIXTURES.

**WARNING:** ENSURE THAT MOUNTING LOCATION AND METHOD IS SUFFICIENT TO SUPPORT 40 LBS OF WEIGHT PER BRACKET LOCATION.

FIXTURE LENGTH	☉ LENGTH	BRACKETS/FIXTURE
2'	16"	2
3'	24"	2
4'	32"	2
6'	48"	2
8'	64"	2

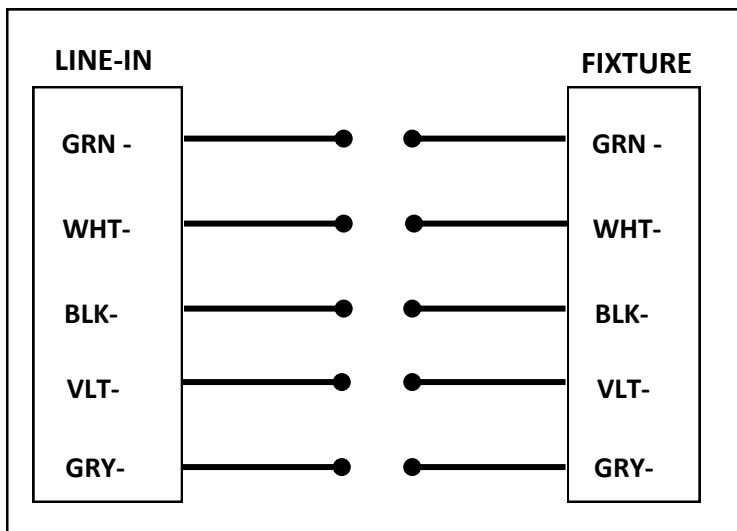
**NOTE:** LENGTH DOES NOT INCLUDE END CAPS.

2. PULL POWER FEED WIRES (AND DIMMING WIRES IF DIMMING IS DESIRED) THROUGH CENTER HOLE OF COVER PLATE AND WALL BRACKET. SECURE COVER PANEL AND WALL BRACKET TO SWITCH BOX AND WALL WITH MACHINE SCREWS AND DRYWALL SCREWS (NOT PROVIDED).

3. CONNECT WIRING - CONNECT FEED WIRES FROM LUMINAIRE TO FEED WIRES IN SWITCH BOX PER LOCAL ELECTRICAL CODE, PER THE WIRING DIAGRAM IN THESE INSTRUCTIONS. CONNECT DIMMING WIRES IF NEEDED.

4. HANG AND LEVEL LIGHT - PLACE LUMINAIRE ONTO THE WALL, LINING UP AND PLACING THE FIXTURE BRACKETS ONTO THE WALL BRACKETS SO THAT THEY HOOK TOGETHER. CHECK THAT THE FIXTURE IS LEVEL. IF NECESSARY THE SET SCREWS IN THE BOTTOM OF THE WALL BRACKET MAY BE USED TO ADJUST THE LEVEL SLIGHTLY. SECURE IN PLACE WITH SCREW (PROVIDED).

## General Wiring Diagram

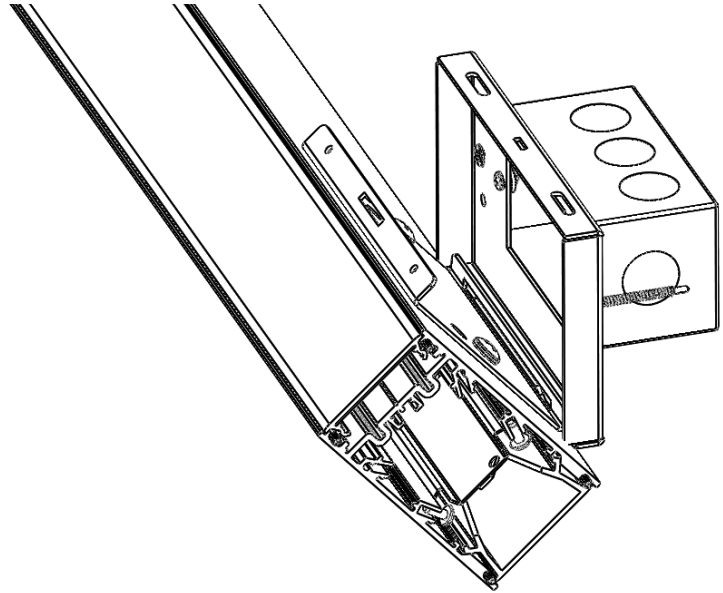


For special circuitry consult factory	
LINE WIRE COLOR	CIRCUIT DESCRIPTION
BLK	CIRCUIT A—HOT
WHT	CIRCUIT A & B— NEUTRAL
RED	CIRCUIT B— HOT
GRN	GROUNDING
VLT	DIMMING CONTROL 1
GRY	DIMMING CONTROL 2
ORG	EHS or EHF—HOT
WHT/ORG	EHS or EHF— NEUTRAL

## Hanging Fixture

### Linear Fixtures

1. WHEN HANGING FIXTURE TILT UNIT AWAY FROM THE WALL SLIGHTLY (AS SHOWN). ALIGN THE TAB OF THE WALL SIDE BRACKET WITH THE SLOT OF THE FIXTURE SIDE BRACKET. ONCE FIXTURES ARE CONNECTED TILT FIXTURES UPRIGHT TOWARDS THE WALL. YOU CAN USE A STRAIGHT BLADE SCREWDRIVER TO HOLD FIXTURE UPRIGHT WHILE TIGHTENING THE TOP SCREWS TO FASTEN THE FIXTURE IN PLACE.



## Row Mounting

REMOVE THE LOWER SNAP-IN LENS. REMOVE THE UPPER SNAP-IN LENS.

SLIDE THE FIXTURES TOGETHER, ENSURING JOINT IS AS TIGHT AS POSSIBLE. INSERT AND TIGHTEN THE PROVIDED FLATHEAD SCREW THROUGH THE HOLE IN THE UPPER HOUSING. INSERT AND TIGHTEN THE PROVIDED PANHEAD SCREWS THROUGH THE JOINING TABS OF THE LOWER REFLECTOR.

\*FIXTURES CAN BE JOINED BEFORE TILTING UPRIGHT TOWARDS WALL TO HELP ALIGNING PINS FIT INTO THE ADJOINING FIXTURE.

REPLACE THE UPPER LENS AND LOWER LENS.

