

# LaYR 2.0 ROUND DOWNLIGHTS

## Wall Wash Series (Up to 2000 Lumens)



Image Above Shown With Smooth Black Baffle and Black Trim Ring

### TRIM & BAFFLE FINISHES



White  
WH



Black  
BK



Satin  
Silver  
SS



Champagne  
CG



**UL**  
CERTIFIED  
SAFETY US-CA

Suitable for Damp locations.



Assembled  
U. S. A.



**WET LISTED**  
Covered Ceiling  
Mount Only

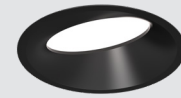


The LaYR recessed wall wash downlights are designed to offer high performance and enhance interior environments with exceptional optical performance, comfort, and industry-leading wall wash capability. They are carefully engineered to ensure effective and uniform illumination across vertical surfaces like walls, resulting in a visually pleasing atmosphere. This makes them a great choice for applications where highlighting vertical elements or creating a specific ambiance is important. Whether it's in retail spaces, museums, galleries, hospitality venues, residential settings, or commercial buildings, these downlights are designed to deliver reliable and visually impressive lighting solutions.

### FLANGED TRIM



### TRIMLESS



### SPECIFICATIONS

Im/W	110
Lumen Output	500 - 2000lm
Luminaire Height	4 15/16"
Optic Size	50mm
Beam Optics	35°
Baffle Type	Smooth Finish
Trim Type	Flange Trim, Trimless
Baffle & Trim Finishes	White, Black, Satin Silver & Champagne
CRI - 80 (2-Step)	35K & 40K
CRI - 90 (2-Step)	27K, 30K, 35K, 40K *90 CRI Option has an R9 Value Greater than 50
Ceiling Thickness Range	(min) 3/8" - (max) 1 1/2"
Hole Cut Size	3 3/8" (REM) - 3 1/2" (OF/IC)
Drivers	0-10V, TRIAC, ELV, Lutron Ecosystem, DALI
Dimming	1%, 5%, 0.1%
Voltage	120-277 Volt
Housing	Non-IC, IC Rated, Remodel
Lumen Maintenance	80,000
Power Factor	> .95
THD	< 20kHz
Approved Location	Dry/Damp/Wet
Certifications	UL Listed, CCEA

Specifications may change without notice.



### Ordering Guide

#### HOUSING

LFXR2								
A	B	C	D	E	F	G	H	

#### LIGHT ENGINE & BAFFLE

WWR2						
I	J	K	L	M	N	O

#### OPTIONS

NOTES:



Covered Ceiling Mount Only

#### HOUSING & DRIVER

A. MODEL	B. TRIM	C. HOUSING STYLE	D. MOUNTING	E. LUMEN OUTPUT
LFXR2 Round Fixed 2in	FT Flange Trim SF Spackle Flange Trimless MW Millwork	OF Open Frame (Non-IC) (Rough-In Mounting Plate) w/ 5/8" Collar  IC IC Rated Housing w/ 5/8" Collar  RM Remodel (Non-IC) . . . . . CP Chicago Plenum	SMB Standard Mounting Bars Min: 14.25" / Max: 26"  ACB Adjustable Commercial Bar Hanger (Includes C-Channel Bracket and Heavy Duty Bar Hangers) Min: 11" / Max: 26.75"  REM Remodel	500 500 lm, 5W 750 750 lm, 8W 1000 1000 lm, 10W 1250 1250 lm, 12W 1500 1500 lm, 15W 1750 1750 lm, 18W 2000 2000 lm, 22W
	RM housing Style and REM mounting required for Millwork  Millwork installation template kit available (order separately)	Additional ceiling collar depths available in (H) Options below  OF and RM Non-IC rated cannot come in contact with insulation.	ACB must be selected at initial order	Please see driver matrix for additional details
F. VOLTAGE	G. DRIVER	H. HOUSING OPTIONS (May choose multiple options below)		
UNV 120-277v	S1 1% Dimming (0 - 10v) DD Dual Dimming (2-wire dimming - Triac/ELV/Phase Cut - 5% Dimming) SAX 1% Dim with Aux PEQ Lutron, Hi-Lume Premier EcoSystem 0.1% Fade to Black ELO EldoLED 0.1% Dim to Dark driver DALI DALI 2.0 Compatible	NN NONE RD Remote Driver (Consult Factory) C1 1" Ceiling Depth Collar C5 1.5" Ceiling Depth Collar AWNRLutron Athena Wireless Node (RF- only)		
	SAX Driver Code is required for the Athena Wireless Node 1750 lm max for dual dim.	Requires SAX Driver Code		

#### LIGHT ENGINE & BAFFLE

I. LIGHT ENGINE	J. BAFFLE TYPE	K. BEAM OPTICS	L. BAFFLE FINISH	M. TRIM FINISH
WWR2 Wall Wash Round 2in	Flange Trim WWRW Wall Wash Round Smooth Flanged  Spackle Flange Trimless WWRW Wall Wash Round Smooth Spackle	50mm Optic 35 Flood 35°	WH White BK Black SS Satin Silver CG Champagne CC Custom Color	WH White BK Black SS Satin Silver CG Champagne CC Custom Color  NN None (Required with spackle flange Only)
			White                  Black                  Satin Silver                  Champagne	NN: Spackle Flange Trimless

N. CRI	COLOR TEMP.	OPTIONS
835	80 CRI; 3500K	O. FACTORY OPTIONS
840	80 CRI; 4000K	
927	90 CRI; 2700K	SSC Seismic Safety Cable
930	90 CRI; 3000K	WET Wet Location
935	90 CRI; 3500K	
940	90 CRI; 4000K	

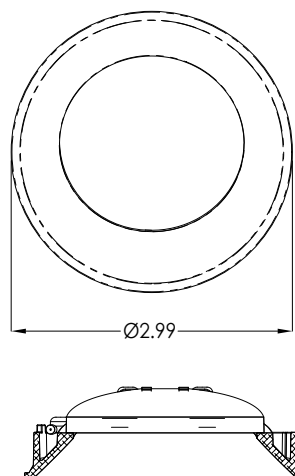
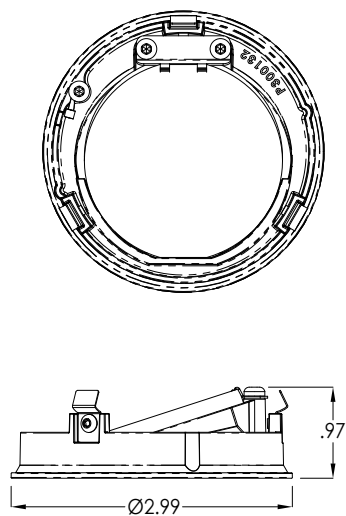
\*90 CRI Option has an R9 Value Greater than 50

All CCT are 2 Step MacAdam Ellipse  
Other accessories may be available, consult factory.

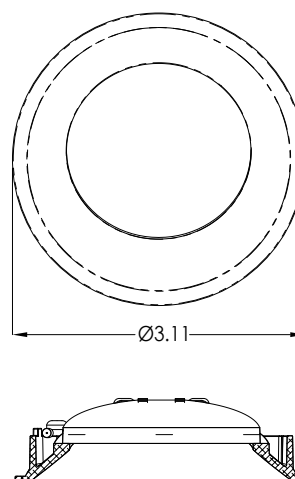
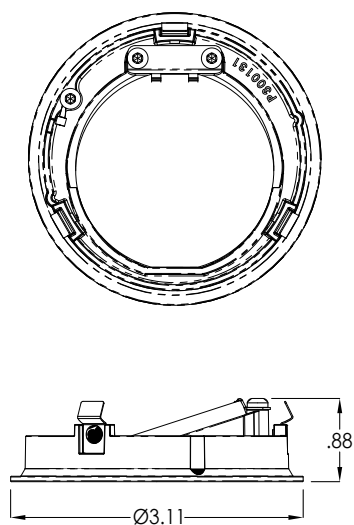
Specifications may change without notice.

FIXTURE DIMENSIONS

Trim - Smooth

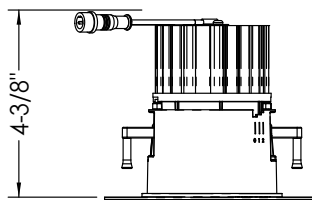


Trimless - Smooth



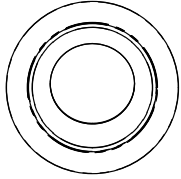
## HEAT SINK DIMENSIONS

TRIM AND TRIMLESS



LFXR2  
Up to 2000 Lumens

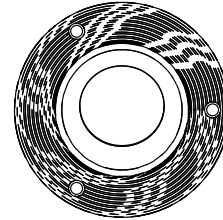
**TRIM DIMENSIONS**



**TRIM**

CEILING CUTOUT  
3-3/8" (REM) : 3-1/2" OF(IC)

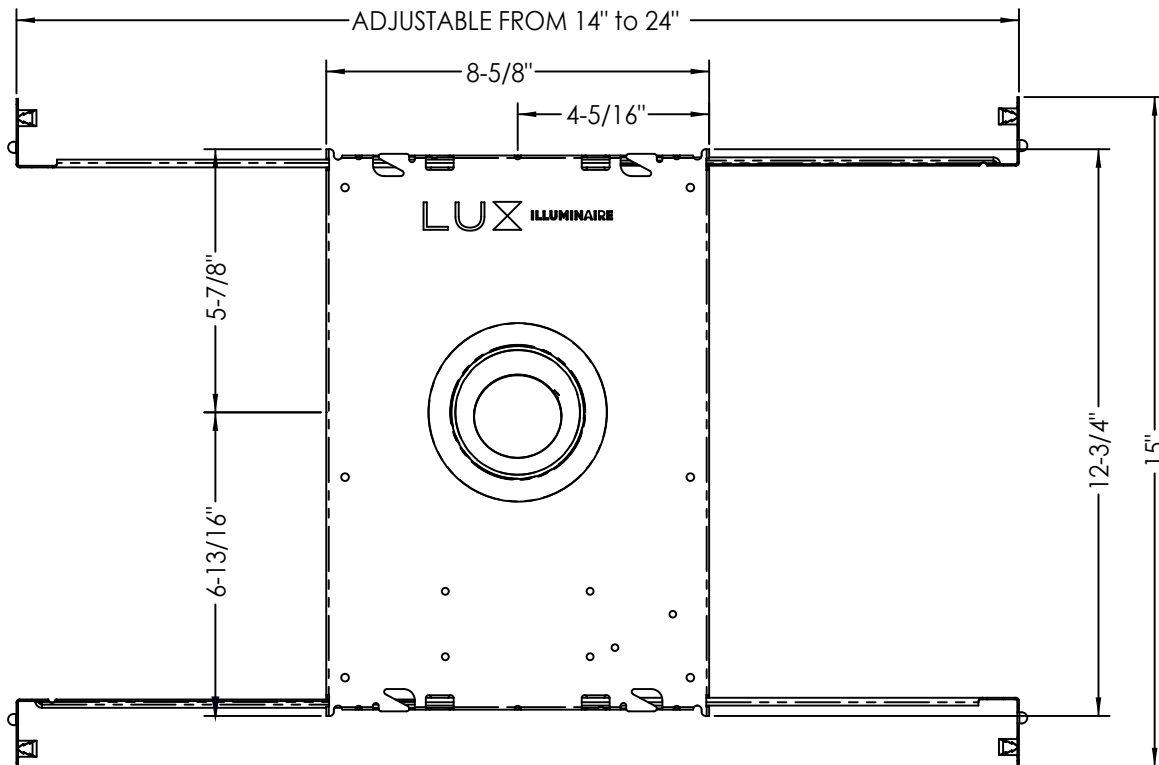
CEILING THICKNESS  
(min) 3/8" - (max) 1-1/2"



**TRIMLESS**

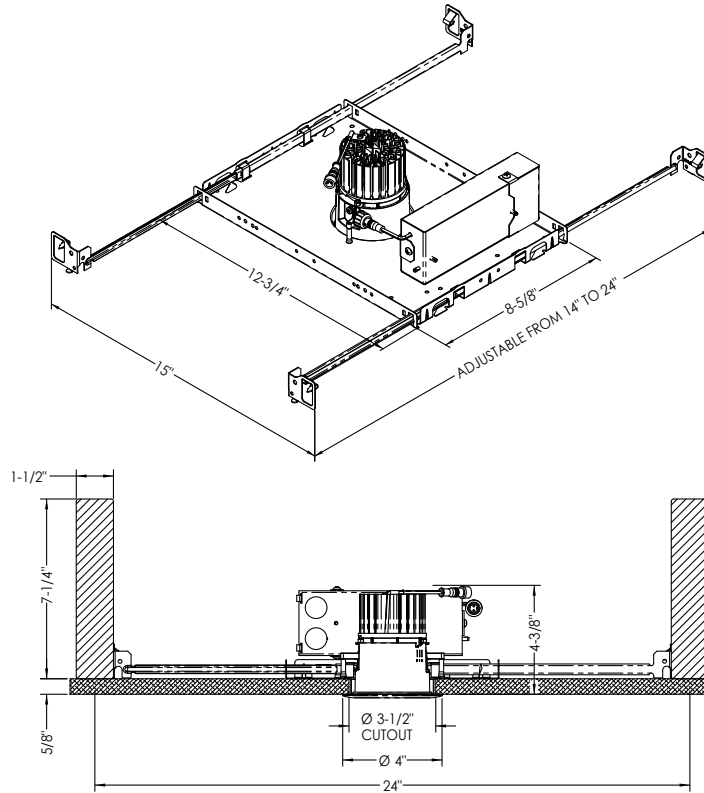
CEILING CUTOUT  
3-3/8" (REM) : 3-1/2" OF(IC)

CEILING THICKNESS  
(min) 3/8" - (max) 1-1/2"

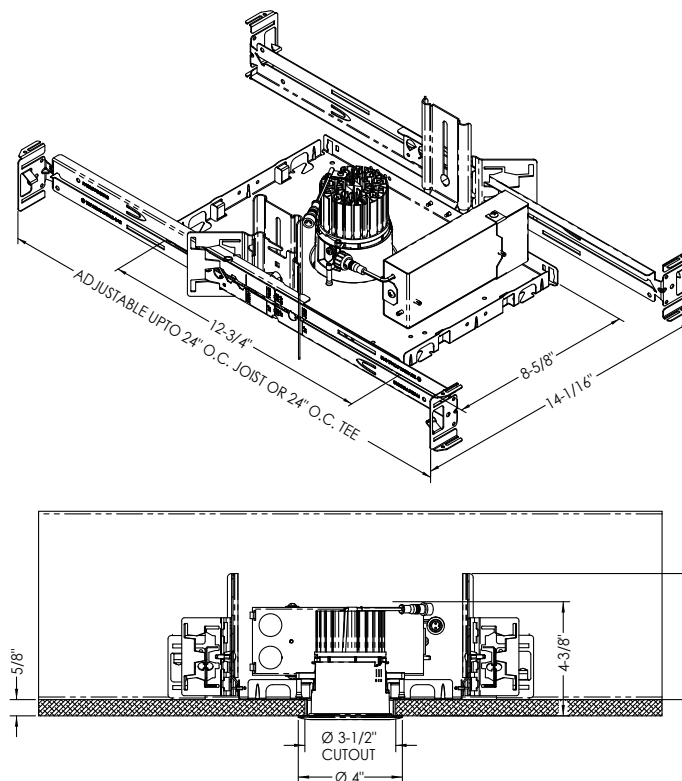


**Open Frame**

Standard Heat Sink with Standard Mounting Bars (SMB)

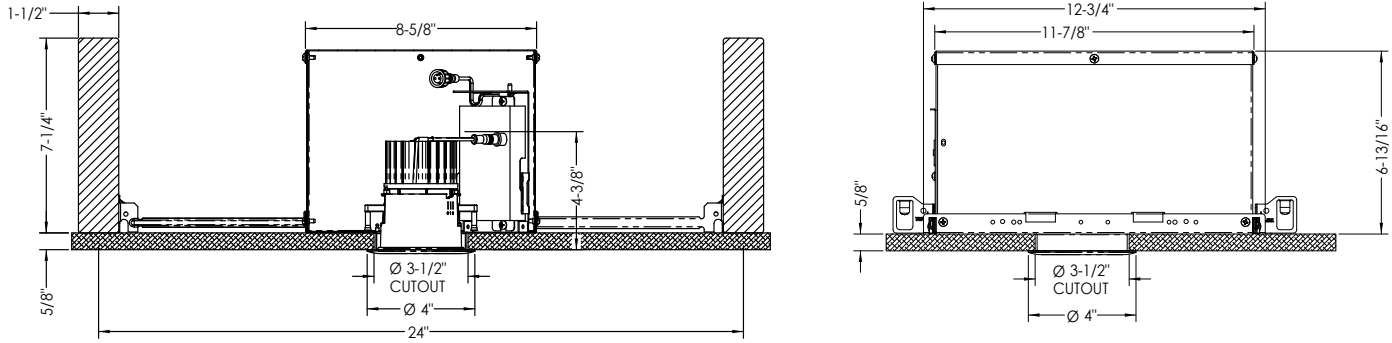


**Standard Heat Sink with Adjustable Commercial Bar Hanger (ACB)**

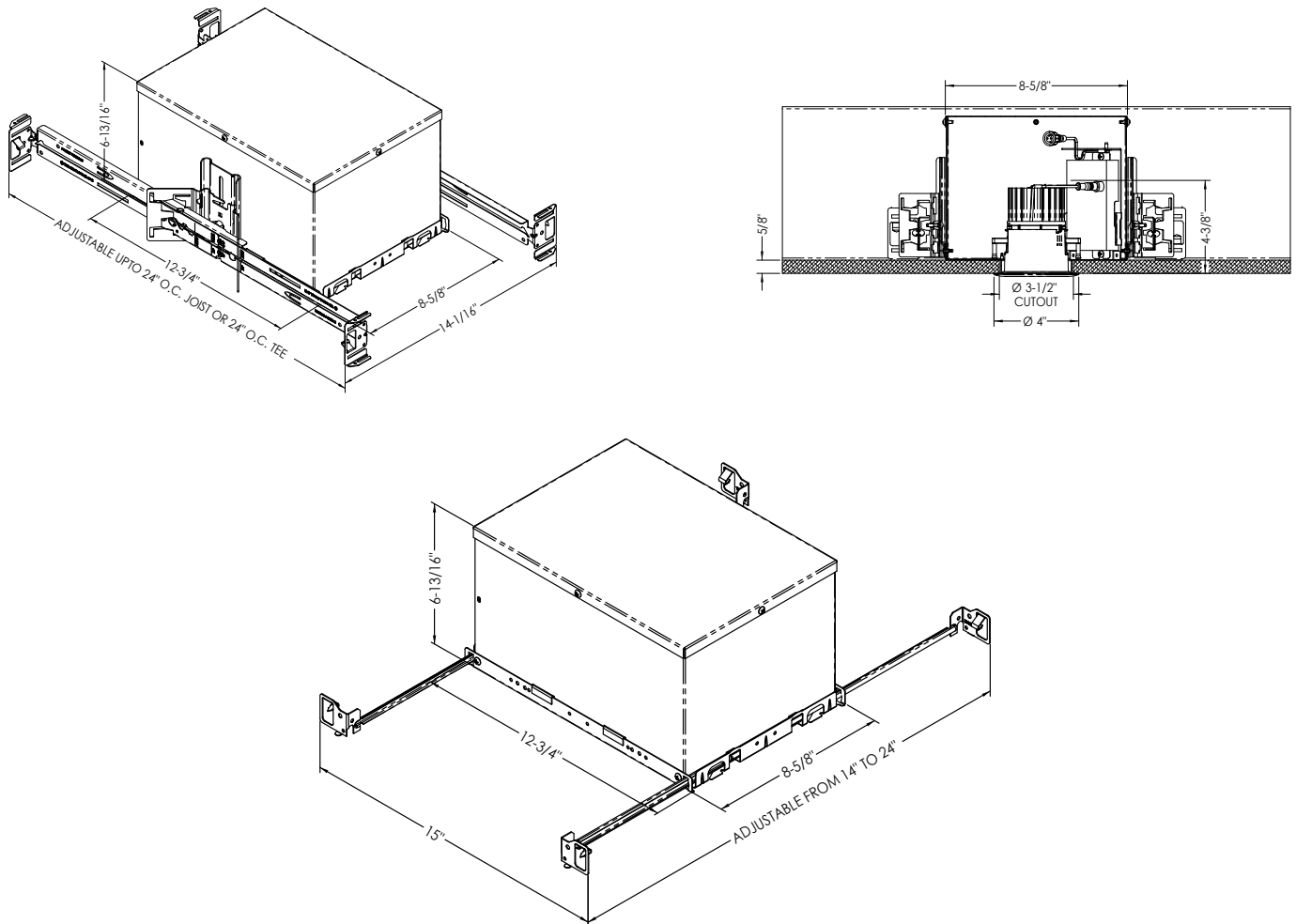


**IC Frame**

Standard Heat Sink with Standard Mounting Bars (SMB)



Standard Heat Sink with Adjustable Commercial Bar Hanger (ACB)



# LaYR 2.0 ROUND DOWNLIGHTS

## Wall Wash Series (Up to 2000 Lumens)



### Remodel

