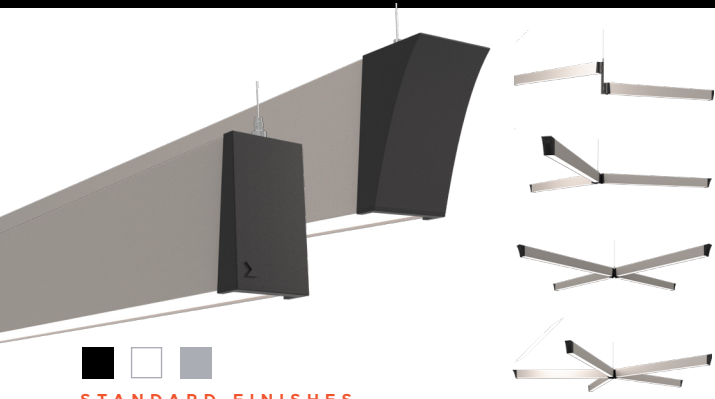
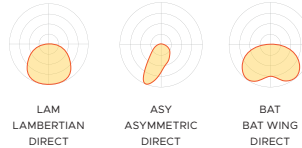


\*\*U.S. Patent No. US 11,112,101\*\*



**STANDARD FINISHES**  
Black, White, & Silver



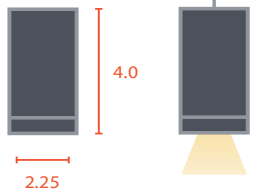
**UP TO 109 lm/W PERFORMANCE**

| DIRECT LIGHT | WATTS PER FOOT |
|--------------|----------------|
| 375 lm/ft    | 3.43           |
| 500 lm/ft    | 4.63           |
| 750 lm/ft    | 7.08           |
| 1000 lm/ft   | 9.63           |

Performance based on 4-foot luminaire at 4,000K @ 25-degrees C

**LIGHT LOSS FACTOR**

| CCT   | CRI | %     |
|-------|-----|-------|
| 4000K | 84+ | 100%  |
| 3500K | 84+ | 97%   |
| 3000K | 84+ | 95.7% |
| 2700K | 84+ | 94.1% |
| 4000K | 92+ | 88.9% |
| 3500K | 92+ | 85.5% |
| 3000K | 92+ | 83.8% |
| 2700K | 92+ | 82.4% |



LUX | **ENABLED**

Suitable for Damp Locations

**ORDER GUIDE**

LNXX 2.0- P - D

|            |     |     |   |     |   |   |     |    |   |    |   |    |     |       |                         |
|------------|-----|-----|---|-----|---|---|-----|----|---|----|---|----|-----|-------|-------------------------|
| A          | B   | C   | D | E   | F | G | H   | I  | J | K  | L | M  | N   | O     | P (Multiple Selections) |
| LNXX20-P-D | LAM | 500 | 6 | 40K | 8 | 1 | UNV | SI | W | FE | B | 9C | 102 | WC,WF |                         |

| A. MODEL    | B. DIRECT OPTICS | C. DIRECT DISTRIBUTION | D. LENGTH                   | E. COLOR TEMPERATURE   | F. CRI   | G. CIRCUIT  |
|-------------|------------------|------------------------|-----------------------------|------------------------|----------|-------------|
| LNXX 20-P-D | LAM Lambertian   | 375 375 lm/ft          | 2 2 ft (24 in)              | 27K 2700K              | 8 80+CRI | 1 1-Circuit |
|             | ASY Asymmetric   | 500 500 lm/ft          | 3 3 ft (36 in)              | 30K 3000K              |          |             |
|             | BAT Bat Wing     | 750 750 lm/ft          | 4 4 ft (48 in)              | 35K 3500K              | 9 90+CRI | 2 2-Circuit |
|             |                  | 1000 1000 lm/ft        | 5 5 ft (60 in)              | 40K 4000K              |          |             |
|             |                  | XXX Custom lm/ft       | 6 6 ft (72 in)              | WCT White Color Tuning |          |             |
|             |                  |                        | 7 7 ft (84 in)              | 2700K - 6500K          |          |             |
|             |                  |                        | 8 8 ft (96 in)              |                        |          |             |
|             |                  |                        | XXX System Run              |                        |          |             |
|             |                  |                        | PIV XXX Pattern             |                        |          |             |
|             |                  |                        | CEN XXX Pattern             |                        |          |             |
|             |                  |                        | (PIV XXX)+(CEN XXX) Pattern |                        |          |             |

**NOTES**

- Asymmetric direction is determined by lens position. Field adjustable for right or left throw.
- Consult factory for outputs between min and max.
- Refer to Pattern configuration guide below for nomenclature. Please see Pattern Guide on p.2 for further details.
- WCT - max lm/ft is 1000 based on 80 CRI and 4000K. Other CCT's are available consult factory.
- 90 CRI option has an R9 value greater than 60.

| H. VOLTAGE    | I. DRIVER                            | J. HOUSING FINISH | K. END CAPS                  | L. END CAP FINISH | M. MOUNTING            |
|---------------|--------------------------------------|-------------------|------------------------------|-------------------|------------------------|
| UNV 120- 277V | S1 1% Dimming (0 - 10v)              | W White           | FE Flat End Cap              | W White           | 9C 9/16 in Tee Clip    |
| 347 347v      | LDE1 Lutron Hi-Lume 1% Fade to Black | B Black           | SE Sculpted End Cap          | B Black           | 15C 15/16 in Tee Clip  |
|               | ELO 0.1% EldoLED                     | S Silver          | AE Adjustable End Cap        | S Silver          | SC Screw Slot Tee Clip |
|               | DXL 1% Dixel                         | CC Custom Colors  | SE Sculpted End Cap          | CC Custom Colors  | HC Hard Ceiling        |
|               |                                      |                   | SB Snub Bullnose End Cap     |                   |                        |
|               |                                      |                   | PB Parabola Bullnose End Cap |                   |                        |

347 may not be available in all configurations.

AWNR-W, AWNR-B, VDO, VRF, SPD, & CLM options supplied with DXL driver standard.

Consult factory for custom colors.(power feeds and canopies excluded)

Adjustable end cap (AE) is the only selection for closed patterns. See bottom of this page or page 9 for end cap images.

Consult factory for custom colors.(power feeds and canopies excluded)

**OPTIONS**

| N. SUSPENSION LENGTH | O. POWER FEEDS & CANOPIES | P. CONTROLS & FACTORY OPTIONS                         |
|----------------------|---------------------------|---|
| 24 24 in             | WF White Power Feed       | NONE Leave Blank                                      |
| 42 42 in             | BF Black Power Feed       | AWNR-W Lutron Athena Wireless Node (RF-only) in White |
| 102 102 in           | SF Silver Power Feed      | AWNR-B Lutron Athena Wireless Node (RF-only) in Black |
| 150 150 in           | WC White Canopy           | AWNS-W Lutron Athena Wireless Sensor (Occ) in White   |
|                      | BC Black Canopy           | AWNS-B Lutron Athena Wireless Sensor (Occ) in Black   |
|                      | SC Silver Canopy          | VDO Lutron Vive (RF/Daylight/Occ)                     |
|                      |                           | VRF Lutron Vive RF Fixture Control Occ                |
|                      |                           | SPD Enclium SensiLUM Daylight/Harvest/Occ             |
|                      |                           | CLM Enclium Connecting Light Module (CLM)             |
|                      |                           | DAY Wattstopper Daylight Sensor (FD - 301)            |
|                      |                           | OCC Wattstopper Occ Sensor (FS - 205v2)               |
|                      |                           | DOC Enlighted Daylight/Harvesting Occ (SU - 5E - 01)  |
|                      |                           | EB Emergency Battery (10W)                            |
|                      |                           | EC Emergency Circuit                                  |
|                      |                           | DW Daylight Circuit                                   |
|                      |                           | NL Night Light Circuit                                |

Each individual suspension length is adjustable.

Select feed and canopy choice.

AWNS-W, AWNS-B, AWNR-W, AWNR-B, VDO, VRF, SPD, & CLM options supplied with DXL driver standard. Emergency Shunt Relay typically required with Controls and EC circuits. Drop lens is for direct distribution only; available only on individual units

EB option only available for lengths greater than 4ft (RGBW will be White Channel only). EB not compatible with RGB. For EC circuits with RGB/RGBW a DMX Emergency Bypass Controller is required (by others)

End Cap options replace standard Flat end caps on individual units, runs and patterns - Same finish as housing

### LIGHT SOURCE

Long life name brand LED chips and boards to ensure the highest of quality while providing even and smooth illumination throughout our luminaires.

Our luminaires are available in 2700K, 3000K, 3500K and 4000K color temperature as well as White Color Tuning (2700-6500K).

Optional 80CRI or 90CRI available in all CCT options.

### LUMEN MAINTENANCE

The projected lumen maintenance of the name brand mid-powered LED's are projected to maintain 80% (L80) of their initial output for +80,000 hours.

### CONSTRUCTION

The housings are constructed of (6063T5) extruded aluminum. Our internal joiner system is designed to the highest of standards to ensure our precision cut housings align and fit tightly without light leak. Our precision fitting end caps are constructed out of die cast aluminum and our steel reflectors are painted white.

### FINISH

Polyester powder, low gloss textured paint finish applied after a multi-stage pretreatment. Standard luminaire finishes include white, silver, and black. Custom color options are available. (Consult Factory).

### OPTICS

Snap in extruded frosted acrylic lens

### DRIVERS

All of our luminaires come standard with 1% dimming and THD <20% utilizing 0-10v constant current protocol. 120v/277v is standard with the option of 347v. Drivers ambient operating temperature -30°C to +50°C.

### EMERGENCY

An integral factory installed 10 watt emergency battery pack. Emergency circuit and Night Light circuit options are available.

### LUMINAIRE LENGTH

Our LNXX 2.0 Pendant Direct/Indirect luminaire series are available in 2', 3', 4', 5', 6', 7' and 8' individual lengths or continuous row configurations. Continuous row configurations are joined together on-site utilizing the joiner kits provided.

### LUMINAIRE WEIGHT

The approximate weight of a four foot luminaire is 12 lbs including end caps assembled.

## PATTERN ORDERING GUIDE

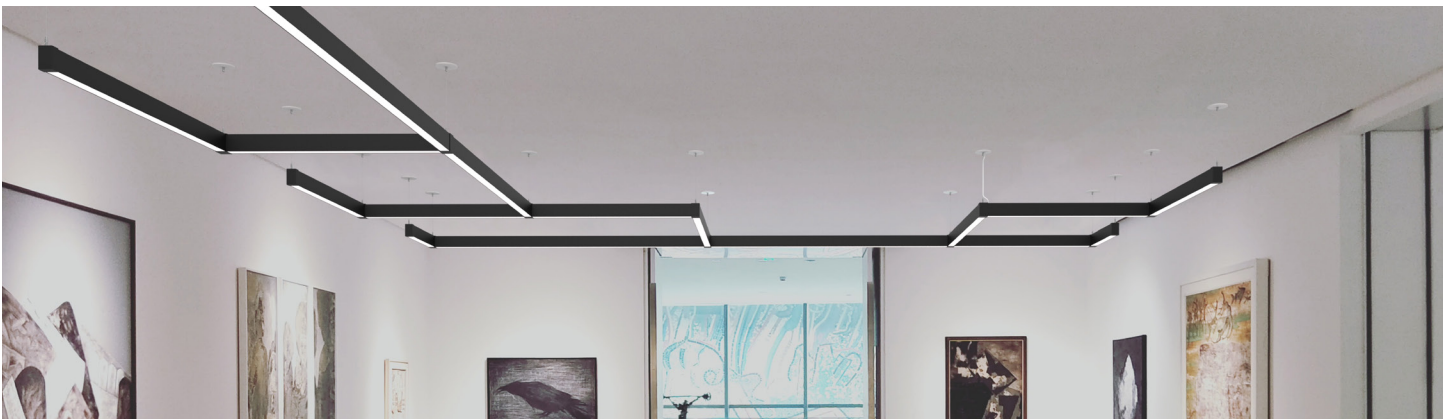
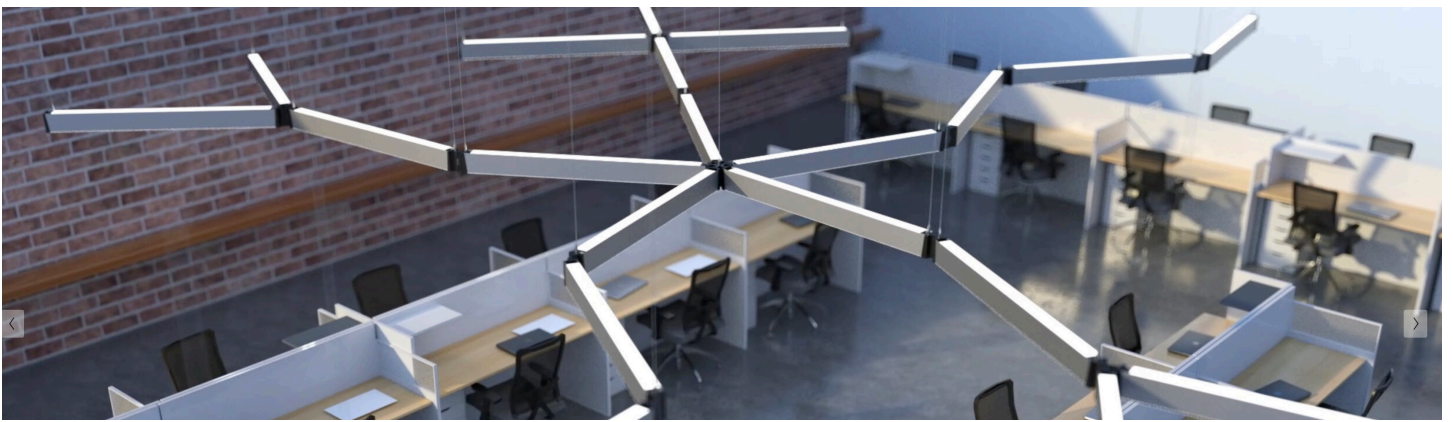
### PATTERN GUIDE

| V. Pivot |     | W. PIVOT CONNECTOR |                            | X. PATTERN DIMENSIONS |             | Y. PIVOT FINISH |       | Z. PATTERN ORIENTATION |  |
|----------|-----|--------------------|----------------------------|-----------------------|-------------|-----------------|-------|------------------------|--|
| Pivot    | PIV | 2L                 | 2 Link                     | AxB                   | Run Lengths | W               | White | C                      | Custom Pattern - Sketch or Drawing Always Required |
|          |     | 3L                 | 3 Link                     | AxBxC                 |             |                 |       |                        |  |
|          |     | 4L                 | 4 Link                     | AxBxCxD               |             |                 |       |                        |  |
|          |     | 5L                 | 5 Link                     | AxBxCxDxE             |             |                 |       |                        |  |
|          |     | ELV8               | 8" Elevation Change        | Total Footage         |             |                 |       |                        |  |
|          |     | ELV12              | 12" Elevation Change       |                       |             |                 |       |                        |  |
|          |     | ELV16              | 16" Elevation Change       |                       |             |                 |       |                        |  |
|          |     | ELV20              | 20" Elevation Change       |                       |             |                 |       |                        |  |
|          |     | ELV24              | 24" Elevation Change       |                       |             |                 |       |                        |  |
|          |     | ELV28              | 28" Elevation Change       |                       |             |                 |       |                        |  |
|          |     | ELV32              | 32" Elevation Change       |                       |             |                 |       |                        |  |
|          |     | ELV36              | 36" Elevation Change       |                       |             |                 |       |                        |  |
|          |     | ML(#)              | Multiple Links             |                       |             |                 |       |                        |  |
|          |     | MELV(#)            | Multiple Elevation Changes |                       |             |                 |       |                        |  |

## CENTRO ORDERING GUIDE

| V. Centro |     | W. CENTRO CONNECTOR |                        | X. PATTERN DIMENSIONS |             | Y. CENTRO FINISH |       | Z. PATTERN ORIENTATION |  |
|-----------|-----|---------------------|------------------------|-----------------------|-------------|------------------|-------|------------------------|--|
| Centro    | CEN | C-135L              | 135 Degree 2 Link      | AxB                   | Run Lengths | W                | White | C                      | Custom Pattern - Sketch or Drawing Always Required |
|           |     | C-120L              | 120 Degree 2 Link      | AxBxC                 |             |                  |       |                        |  |
|           |     | C-90L               | 90 Degree 2 Link       | AxBxCxD               |             |                  |       |                        |  |
|           |     | C-60L               | 60 Degree 2 Link       | AxBxCxDxE             |             |                  |       |                        |  |
|           |     | C-45L               | 45 Degree 2 Link       | Total Footage         |             |                  |       |                        |  |
|           |     | C-30L               | 30 Degree 2 Link       |                       |             |                  |       |                        |  |
|           |     | C-90T               | 90 Degree 3 Link       |                       |             |                  |       |                        |  |
|           |     | C-135X              | 135 Degree 4 Link      |                       |             |                  |       |                        |  |
|           |     | C-120X              | 120 Degree 4 Link      |                       |             |                  |       |                        |  |
|           |     | C-90X               | 90 Degree 4 Link       |                       |             |                  |       |                        |  |
|           |     | C-120Y              | 120 Degree 3 Link      |                       |             |                  |       |                        |  |
|           |     | C-135Y              | 135 Degree 3 Link      |                       |             |                  |       |                        |  |
|           |     | C-ORB2P             | 2 Way Orbit Hub Planar |                       |             |                  |       |                        |  |
|           |     | C-ORB3P             | 3 Way Orbit Hub Planar |                       |             |                  |       |                        |  |
|           |     | C-ORB2O             | 2 Way Orbit Hub Offset |                       |             |                  |       |                        |  |
|           |     | C-ORB3O             | 3 Way Orbit Hub Offset |                       |             |                  |       |                        |  |





## STANDARD SINGLE LENGTH PIVOT PATTERN EXAMPLES



Adjustable 2 arm pivot connector.

|     |    |     |   |   |
|-----|----|-----|---|---|
| PIV | 2L | 4X4 | B | C |
| V   | W  | X   | Y | Z |

**D**

Above code gets entered in "D" LENGTH field of ordering guide.



Adjustable 3 arm pivot connector.

|     |    |       |   |   |
|-----|----|-------|---|---|
| PIV | 3L | 4X4X4 | B | C |
| V   | W  | X     | Y | Z |

**D**

Above code gets entered in "D" LENGTH field of ordering guide.



Adjustable 4 arm pivot connector.

|     |    |         |   |   |
|-----|----|---------|---|---|
| PIV | 4L | 4X4X4X4 | B | C |
| V   | W  | X       | Y | Z |

**D**

Above code gets entered in "D" LENGTH field of ordering guide.



Adjustable 5 arm pivot connector.

|     |    |           |   |   |
|-----|----|-----------|---|---|
| PIV | 5L | 3X3X3X3X3 | B | C |
| V   | W  | X         | Y | Z |

**D**

Above code gets entered in "D" LENGTH field of ordering guide.



Adjustable elevator pivot connector.

|     |       |     |   |   |
|-----|-------|-----|---|---|
| PIV | ELV12 | 4X4 | B | C |
| V   | W     | X   | Y | Z |

**D**

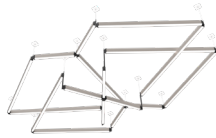
Above code gets entered in "D" LENGTH field of ordering guide.

### NOTES

More detailed example on page 6

Customer to provide a drawing for all patterns with more than (1) pivot connector

## CUSTOM LENGTH PATTERN EXAMPLES



|     |       |         |    |   |   |
|-----|-------|---------|----|---|---|
| PIV | ML(9) | MELV(6) | 76 | B | C |
| V   | W     | X       | Y  | Z |   |

**D**

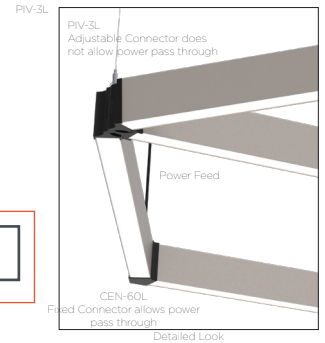
Above code using both Pivot and Centro connection points



|     |       |            |    |   |   |
|-----|-------|------------|----|---|---|
| PIV | ML(3) | CEN-60L(3) | 24 | B | C |
| V   | W     | X          | Y  | Z |   |

**D**

Above code using both Pivot and Centro connection points



### NOTES

Customer to provide a drawing for all patterns with more than (1) pivot connector



## STANDARD SINGLE LENGTH FIXED CENTRO HUB PATTERN EXAMPLES



135L Centro Hub Fixed connector.

|     |        |     |   |   |
|-----|--------|-----|---|---|
| CEN | C-135L | 4X4 | B | C |
| V   | W      | X   | Y | Z |

D

Above code gets entered in "D" LENGTH field of ordering guide.



120L Centro Hub Fixed connector.

|     |        |     |   |   |
|-----|--------|-----|---|---|
| CEN | C-120L | 4X4 | B | C |
| V   | W      | X   | Y | Z |

D

Above code gets entered in "D" LENGTH field of ordering guide.



90L Centro Hub Fixed connector.

|     |       |     |   |   |
|-----|-------|-----|---|---|
| CEN | C-90L | 4X4 | B | C |
| V   | W     | X   | Y | Z |

D

Above code gets entered in "D" LENGTH field of ordering guide.



90T Centro Hub Fixed connector.

|     |       |       |   |   |
|-----|-------|-------|---|---|
| CEN | C-90T | 3X3X3 | B | C |
| V   | W     | X     | Y | Z |

D

Above code gets entered in "D" LENGTH field of ordering guide.



90X Centro Hub Fixed connector.

|     |       |         |   |   |
|-----|-------|---------|---|---|
| CEN | C-90X | 4X4X4X4 | B | C |
| V   | W     | X       | Y | Z |

D

Above code gets entered in "D" LENGTH field of ordering guide.



120Y Centro Hub Fixed connector.

|     |        |       |   |   |
|-----|--------|-------|---|---|
| CEN | C-120Y | 4X4X4 | B | C |
| V   | W      | X     | Y | Z |

D

Above code gets entered in "D" LENGTH field of ordering guide.



135Y Centro Hub Fixed connector.

|     |        |       |   |   |
|-----|--------|-------|---|---|
| CEN | C-135Y | 3X3X3 | B | C |
| V   | W      | X     | Y | Z |

D

Above code gets entered in "D" LENGTH field of ordering guide.

## CUSTOM LENGTH PATTERN EXAMPLES



|     |                   |    |   |   |
|-----|-------------------|----|---|---|
| CEN | C-90T(2) C-90L(4) | 76 | B | C |
| V   | W                 | X  | Y | Z |

D

Above code gets entered in "D" LENGTH field of ordering guide.

\*\*U.S. Patent No. US 11,112,101\*\*

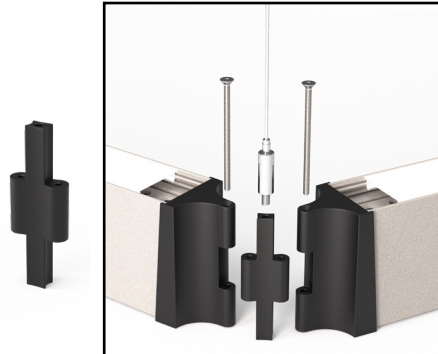
## LNXX PIVOT CONNECTORS

Adjustable non-illuminated, pivot connectors allow for in-the-field adjustments from 60 - 240° in the field.

(AE)  
Adjustable end cap



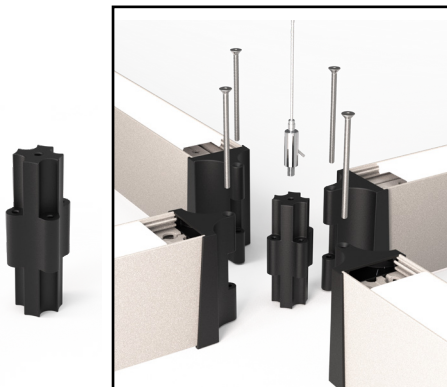
(PIV-2L)  
Adjustable 2 arm pivot connector.



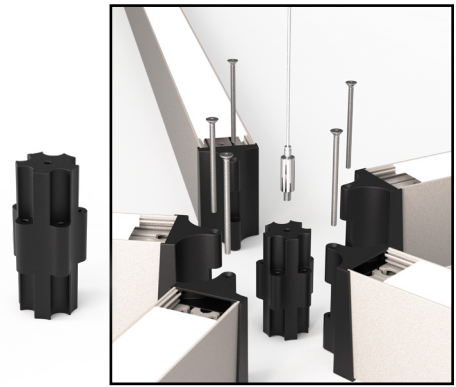
(PIV-3L)  
Adjustable 3 arm pivot connector.



(PIV-4L)  
Adjustable 4 arm pivot connector.

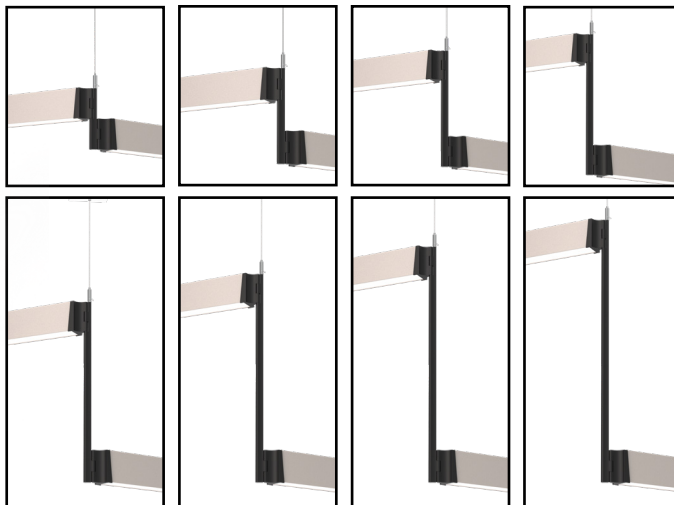


(PIV-5L)  
Adjustable 5 arm pivot connector.



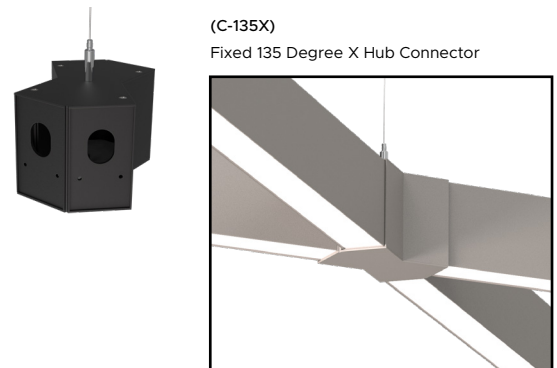
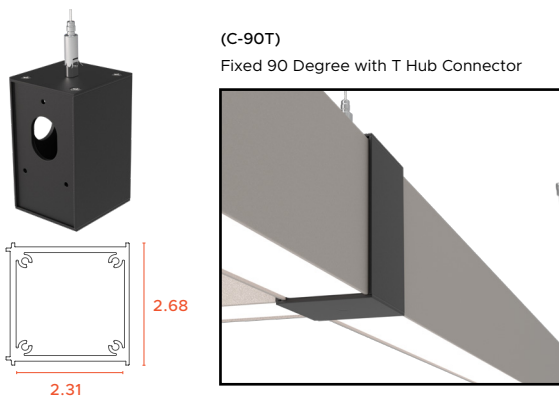
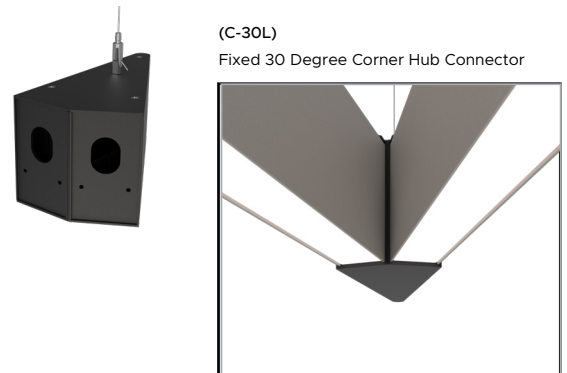
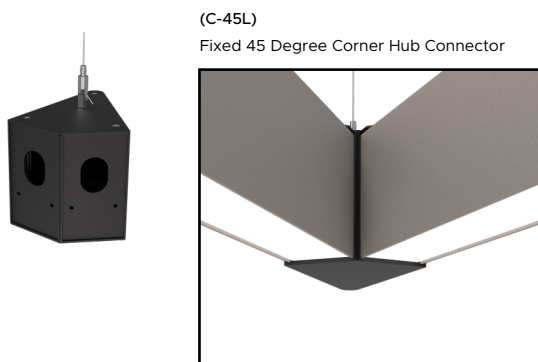
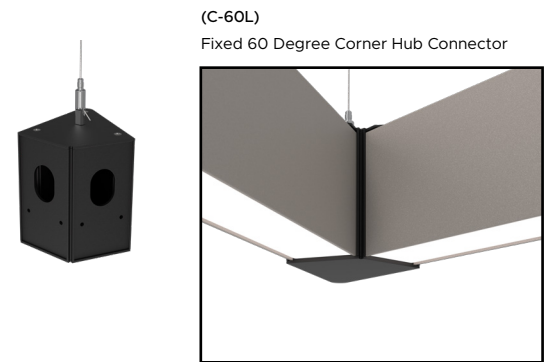
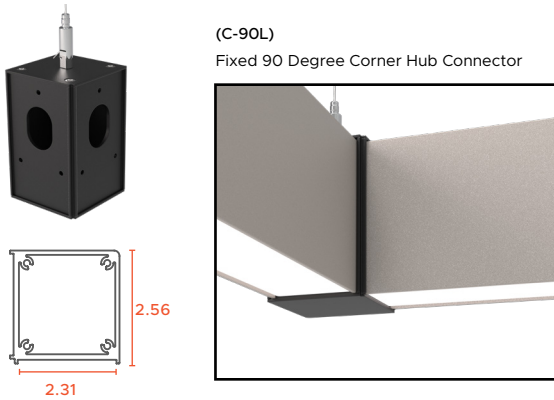
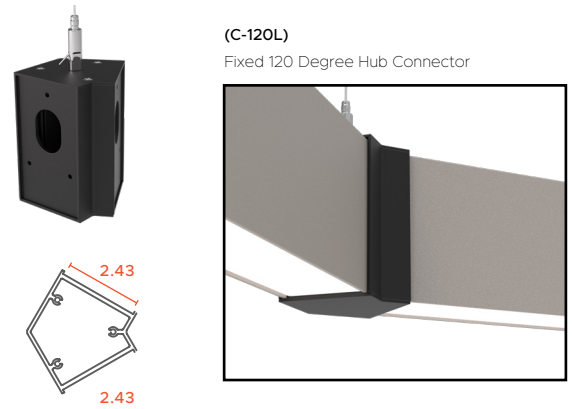
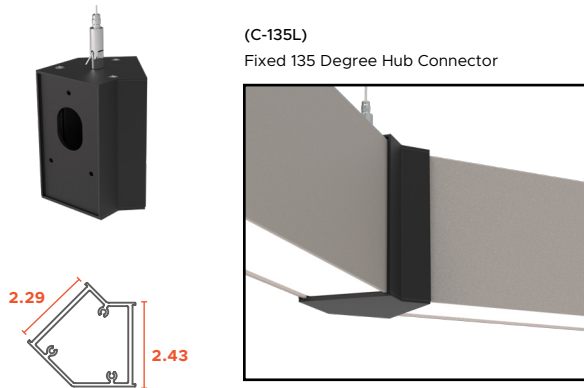
(PIV-ELV (Length))  
Adjustable Elevator arm pivot connector.

Available in 8", 12", 16", 20", 24", 28", 32", and 36".



**CENTRO HUB CONNECTORS**

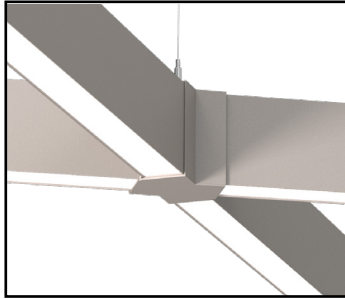
Fixed non-illuminated, connectors allow for power pass through.



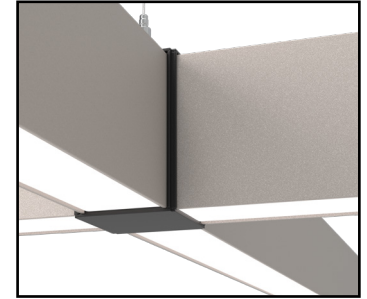
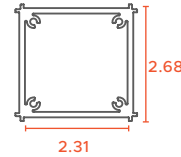
**CENTRO HUB CONNECTORS**

Fixed non-illuminated, connectors allow for power pass through.

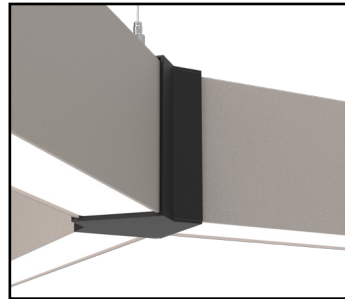
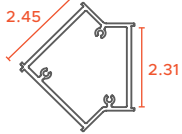
(C-120X)  
Fixed 120 Degree X Hub Connector



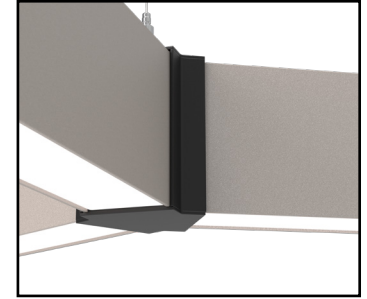
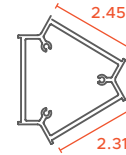
(C-90X)  
Fixed 90 Degree X Hub Connector



(C-135Y)  
Fixed 135 Degree Y Hub Connector



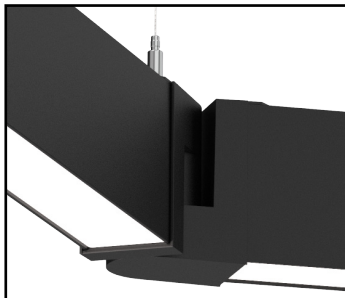
(C-120Y)  
Fixed 120 Degree Y Hub Connector



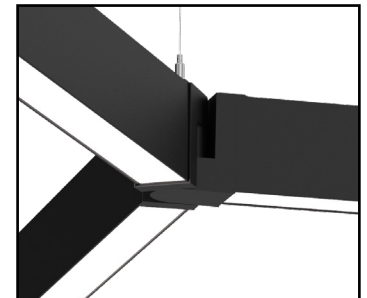
**CENTRO HUB ORBIT CONNECTORS**

Adjustabel non-illuminated, connectors allow for power pass through.

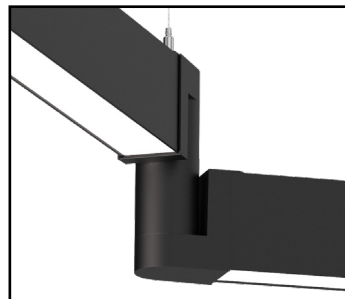
(C-ORB2P)  
2 Way Orbit Hub Planar



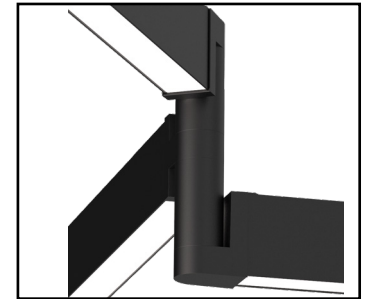
(C-ORB3P)  
3 Way Orbit Hub Planar



(C-ORB2O)  
2 Way Orbit Hub Offset



(C-ORB3O)  
3 Way Orbit Hub Offset





\*\*U.S. Patent No. US 11,112,101\*\*

## STANDARD FINISHES

The LNXX 2.0 enhances the aesthetic of any space through flexible color combinations. Choose a white, black or silver housing with 1 of 4 standard end cap colors. Custom colors are also available upon request.

### COLOR HOUSING COMBINATIONS



**WHITE**  
Shown with White Housing, Black End Cap and Silver Cleat

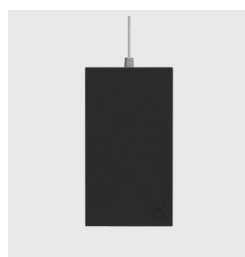


**SILVER**  
Shown with Silver Housing, Silver End Cap and Silver Cleat

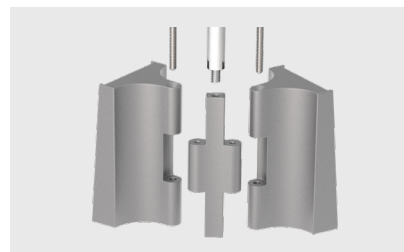


**BLACK**  
Shown with Black Housing, Black End Cap and Silver Cleat

### END CAP COLORS



### PIVOT CONNECTION COLORS



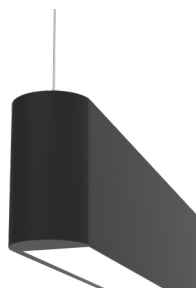
### END CAP OPTIONS



**(FE) FLAT**  
END CAP



**(SE) SCULPTED**  
END CAP



**(SB) SNUB BULLNOSE**  
END CAP



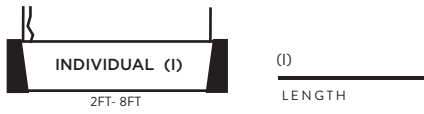
**(PB) PARABOLA**  
BULLNOSED END CAP



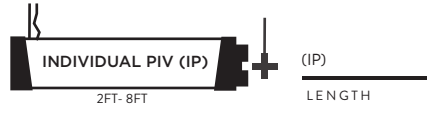
**(AE) ADJUSTABLE**  
END CAP

\*\*U.S. Patent No. US 11,112,101\*\*

## CUSTOM PIVOT KEY

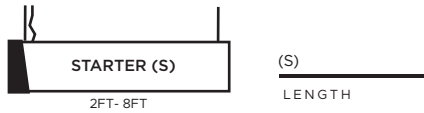


COMES WITH:  
(2) Suspension Cable and (1) Power Feed

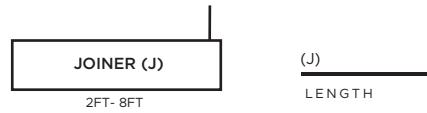


COMES WITH:  
(1) Suspension Cable and (1) Power Feed  
Secondary suspension comes with pivot connector.

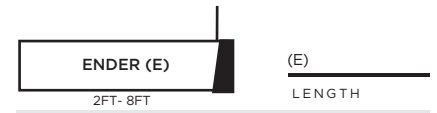
## CUSTOM PIVOT KEY EXAMPLE



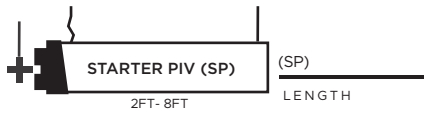
COMES WITH:  
(2) Suspension Cables and (1) Power Feed



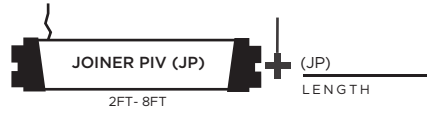
COMES WITH:  
(1) Suspension Cable



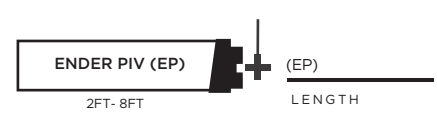
COMES WITH:  
(1) Suspension Cable



COMES WITH:  
(1) Suspension Cable and (1) Power Feed  
Secondary suspension comes with pivot connector.

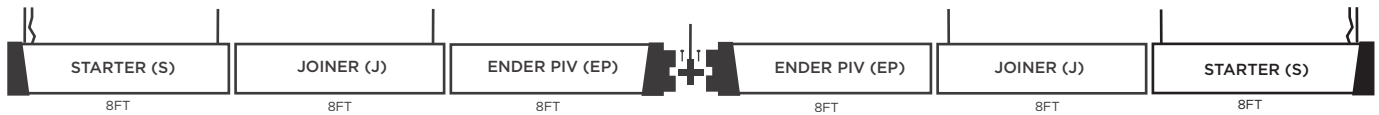


COMES WITH:  
(1) Power Feed  
Suspension points are on pivot connectors.



Suspension point is on pivot connector.

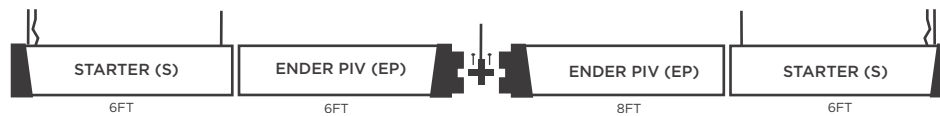
## CUSTOM PIVOT EXAMPLE



Adjustable 2 arm pivot connector.



**F**  
Above code gets entered in "F" LENGTH field of ordering guide.



Adjustable 2 arm pivot connector.



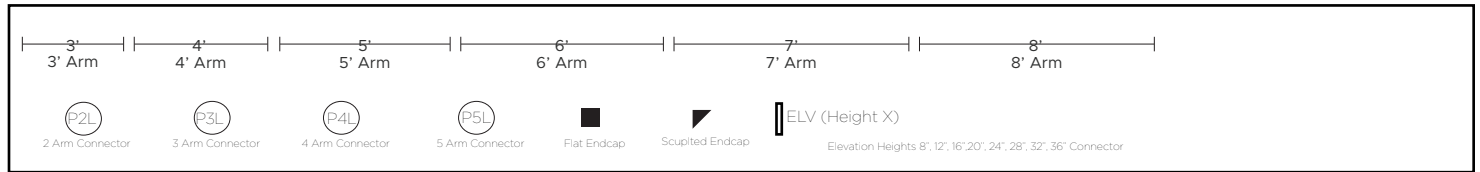
**F**  
Above code gets entered in "F" LENGTH field of ordering guide.



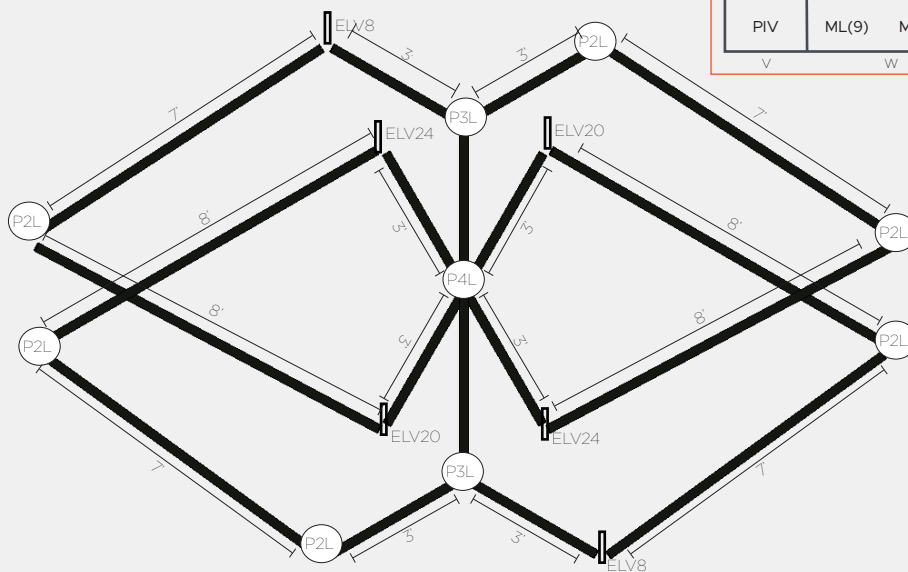
\*\*U.S. Patent No. US 11,112,101\*\*

## SKETCH CUSTOM PATTERN & DIMENSIONS

Include a simple sketch to illustrate your projects scope.  
Use the key provided to identify length of arms, runs and connectors.  
(Does not need to be to same scale).



## CUSTOM DESIGN EXAMPLE



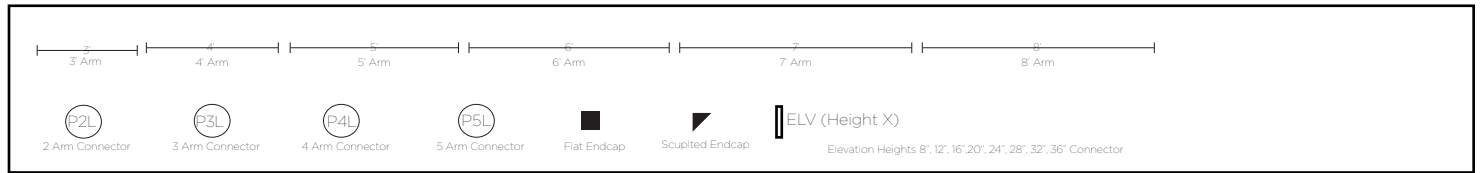
## DESIGN RENDER



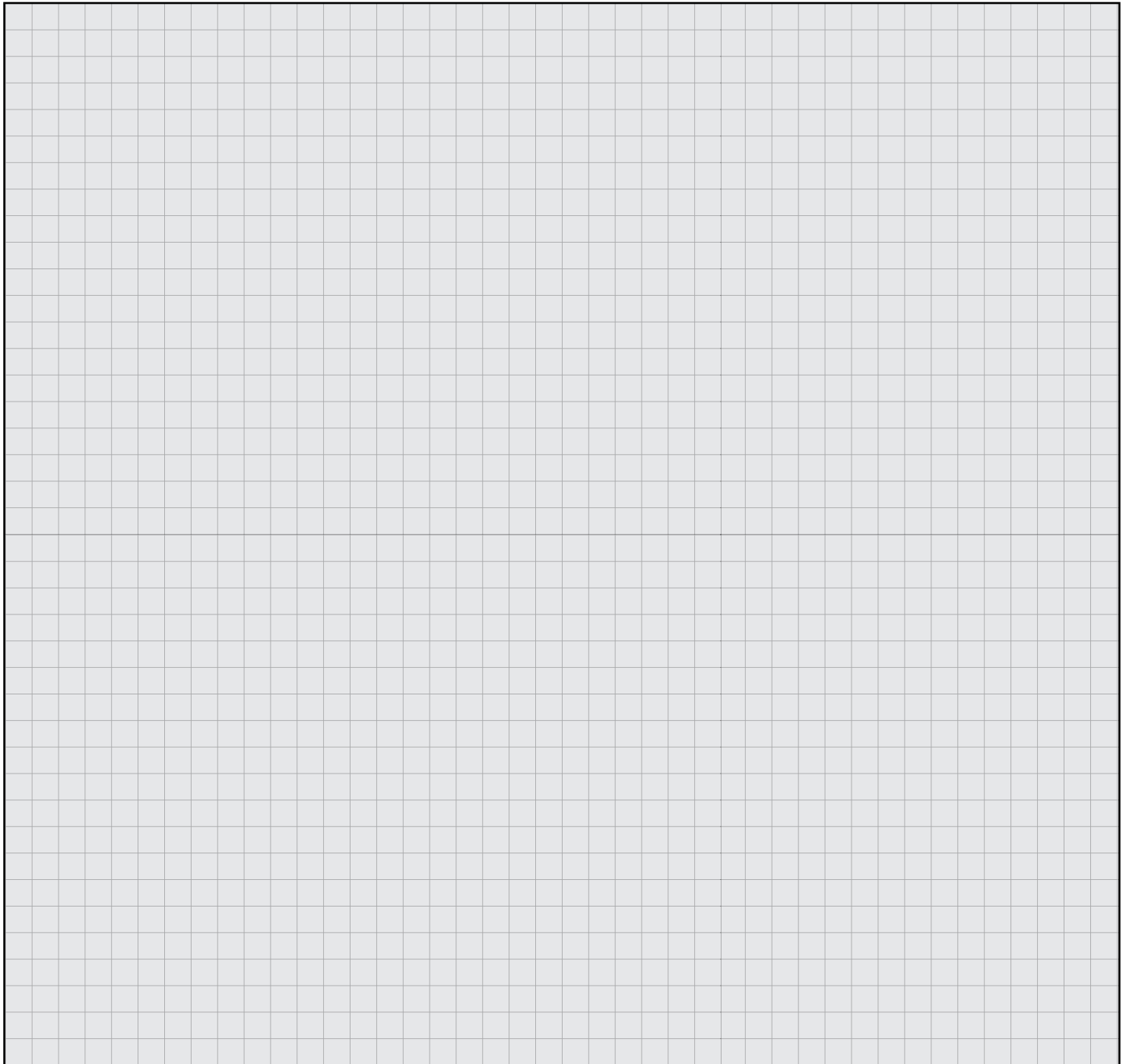
\*\*U.S. Patent No. US 11,112,101\*\*

## SKETCH CUSTOM PATTERN & DIMENSIONS

Include a simple sketch to illustrate your projects scope.  
Use the key provided to identify length of arms, runs and connectors.  
*(Does not need to be to same scale).*



## YOUR SKETCH



CONTINUOUS RUN ORDER GUIDES

Please use the following run guides for fixture ordering. If your product will require a submittal, our in-house Application Engineering Team will work closely with you on your project.

| ALUMINUM PRODUCT ORDER GUIDE |                                     |
|------------------------------|-------------------------------------|
| RUN LENGTH (ft)              | RUN CONFIGURATION - SECTION LENGTHS |
| 9                            | 6' + 3'                             |
| 10                           | 6' + 4'                             |
| 11                           | 6' + 5'                             |
| 12                           | 6' + 6'                             |
| 13                           | 6' + 7'                             |
| 14                           | 8' + 6'                             |
| 15                           | 8' + 7'                             |
| 16                           | 8' + 8'                             |
| 17                           | 6' + 5' + 6'                        |
| 18                           | 6' + 6' + 6'                        |
| 19                           | 6' + 7' + 6'                        |
| 20                           | 8' + 4' + 8'                        |
| 21                           | 8' + 5' + 8'                        |
| 22                           | 8' + 6' + 8'                        |
| 23                           | 8' + 7' + 8'                        |
| 24                           | 8' + 8' + 8'                        |
| 25                           | 5' + 8' + 8' + 4'                   |
| 26                           | 4' + 6' + 6' + 6' + 4'              |
| 27                           | 6' + 8' + 8' + 5'                   |
| 28                           | 6' + 8' + 8' + 6'                   |
| 29                           | 7' + 8' + 8' + 6'                   |

\*Standard Run Configurations Shown, Consult Factory for Custom Configurations.

| ALUMINUM PRODUCT ORDER GUIDE |                                     |
|------------------------------|-------------------------------------|
| RUN LENGTH (ft)              | RUN CONFIGURATION - SECTION LENGTHS |
| 30                           | 6' + 6' + 6' + 6' + 6'              |
| 31                           | 6' + 6' + 7' + 6' + 6'              |
| 32                           | 8' + 8' + 8' + 8'                   |
| 33                           | 5' + 8' + 8' + 8' + 4'              |
| 34                           | 6' + 8' + 8' + 8' + 4'              |
| 35                           | 6' + 8' + 8' + 8' + 5'              |
| 36                           | 6' + 8' + 8' + 8' + 6'              |
| 37                           | 8' + 8' + 5' + 8' + 8'              |
| 38                           | 8' + 8' + 6' + 8' + 8'              |
| 39                           | 8' + 8' + 7' + 8' + 8'              |
| 40                           | 8' + 8' + 8' + 8' + 8'              |
| 41                           | 5' + 8' + 8' + 8' + 8' + 4'         |
| 42                           | 6' + 8' + 8' + 8' + 8' + 4'         |
| 43                           | 6' + 8' + 8' + 8' + 8' + 5'         |
| 44                           | 6' + 8' + 8' + 8' + 8' + 6'         |
| 45                           | 7' + 8' + 8' + 8' + 8' + 6'         |
| 46                           | 3' + 8' + 8' + 8' + 8' + 8' + 3'    |
| 47                           | 4' + 8' + 8' + 8' + 8' + 8' + 3'    |
| 48                           | 8' + 8' + 8' + 8' + 8' + 8'         |
| 49                           | 5' + 8' + 8' + 8' + 8' + 8' + 4'    |
| 50                           | 6' + 8' + 8' + 8' + 8' + 8' + 4'    |

\*Standard Run Configurations Shown, Consult Factory for Custom Configurations.

