

Installation Instruction Sheet

Linear Recessed Fixtures

INSTALLATION INSTRUCTIONS FOR MOUNTING RECESSED LINEAR FIXTURES

WARNING

To reduce the risk of death, injury or property damage from fire, electric shock, cuts, abrasions, falling parts and other hazards:

- Service of the equipment must be performed by qualified service personnel.
- Installation and maintenance must be performed by a person familiar with the construction and operation of this product and any hazards involved. All applicable codes and ordinances must be followed.
- Read this document before installing, servicing or maintaining this equipment. These instructions do not cover all installation, service and maintenance situations. If your situation is not covered, or, if you do not understand these instructions or additional information is required, contact Lux Illuminaire or your local agent.
- Read and follow all warnings and instructions provided by the LED manufacturer.

WARNING

- Before installing, servicing or maintaining this equipment, follow these general precautions. To reduce the risk of electrocution:
- Make sure the equipment is properly grounded.
- Always de-energize the circuit and/or equipment before connecting to, disconnecting from or servicing the equipment.

To prevent luminaire row from over-current:

- By adding the input current of each luminaire section marked on the luminaire, the total current per power feed must not exceed the maximum line wire amperage marked on the luminaire and the power feed cord/wire amperage rating whichever is the least.

To reduce the risk of fire:

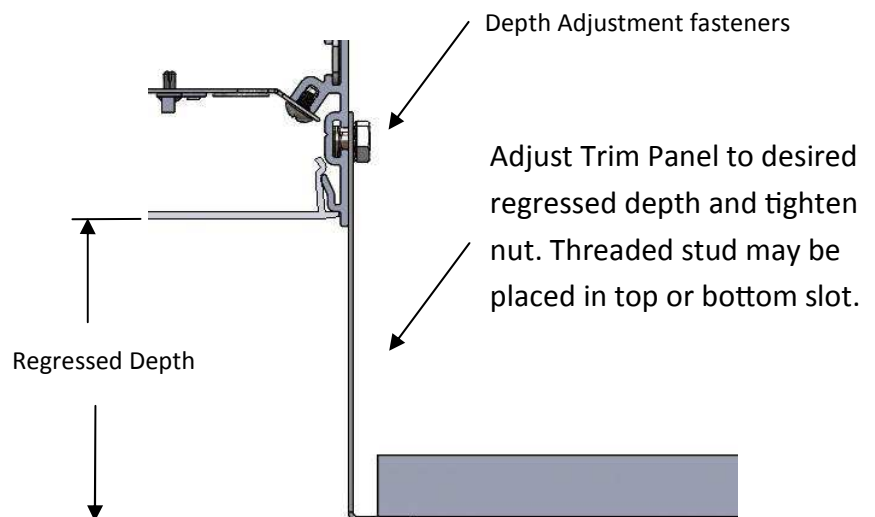
- Keep material away that can burn from hot surfaces.
- Make sure LED boards are correctly installed.
- Use supply conductors with a minimum installation temperature rating as specified on equipment.

To reduce the risk of personal injury from cuts, abrasions or falling parts:

- Wear gloves to prevent cuts or abrasions from sharp edges when removing from carton, handling and maintaining this equipment.
- Do not use abrasive materials, glass cleaners or other solvents on reflector or lens. These substances may damage equipment and cause parts to eventually break and fall.
- Do not install a damaged fixture.

Mounting Depth Adjustment Range can be ordered at 2" or 3"

- For shipping purposes 2", and 3" trim is shipped flush)
- Before installation installers must set 2" and 3" Regressed Trim in place with supplied fasteners



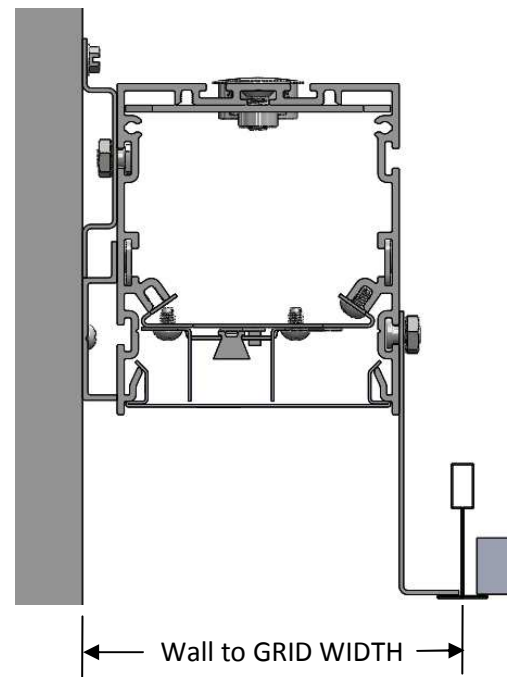
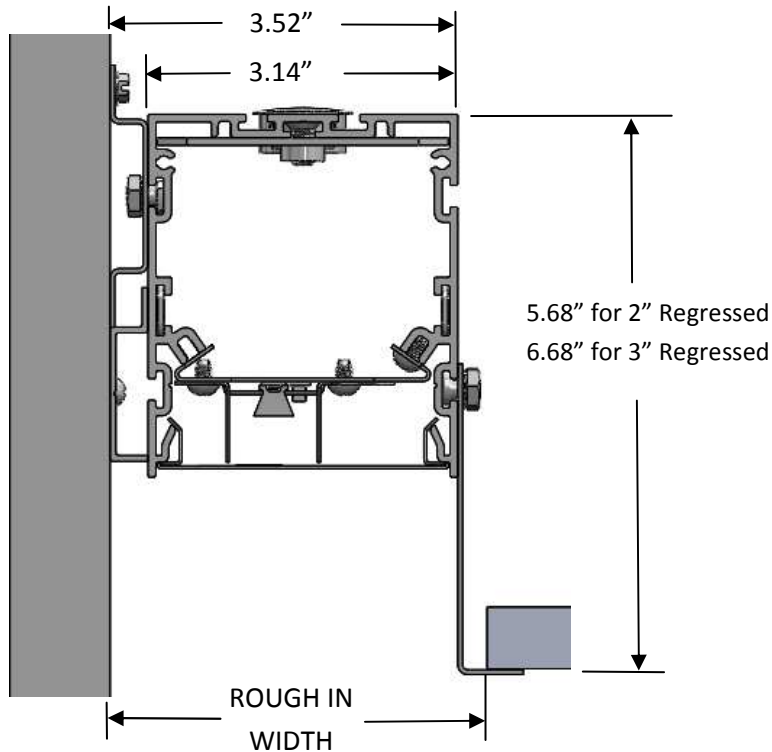
Installation Instruction Sheet

Linear Fixtures

MOUNTING TYPES & DIMENSION

"Rough In" Width	
Mounting Type	
Flange	4"
Flangeless/Trimless	4"

Grid Mounting "Wall to Center Widths"	
Ceiling Type	
9/16" Slot	4-1/16"
"9/16" Tegular/Lay-in	3-7/8"
15/16" Tegular/Lay-in	4-1/4"



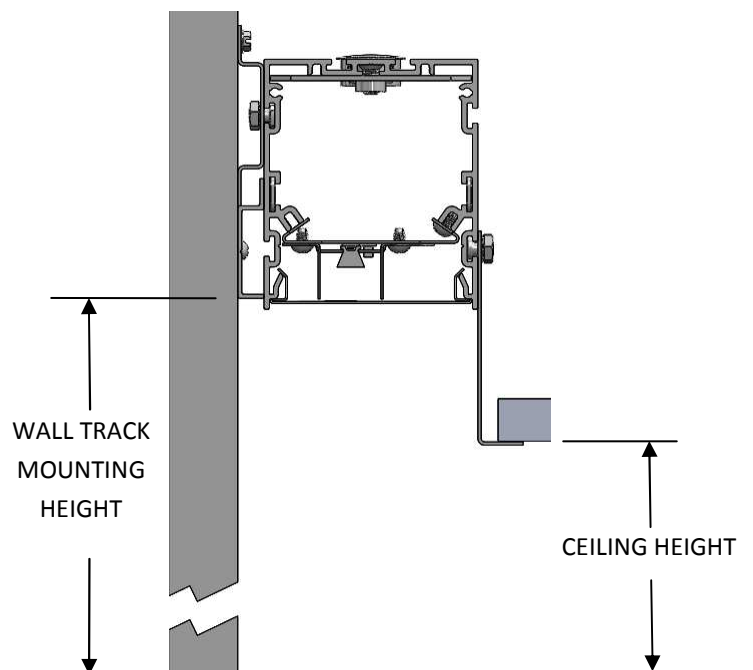
WALL TRACK MOUNTING DIMENSION

To determine Wall Track Mounting height.

Ceiling Height + Regressed Depth + 3/16"

Wall Track Mounting height Example:

96" Ceiling + 2" Regressed Depth + 3/16" = 98-3/16"



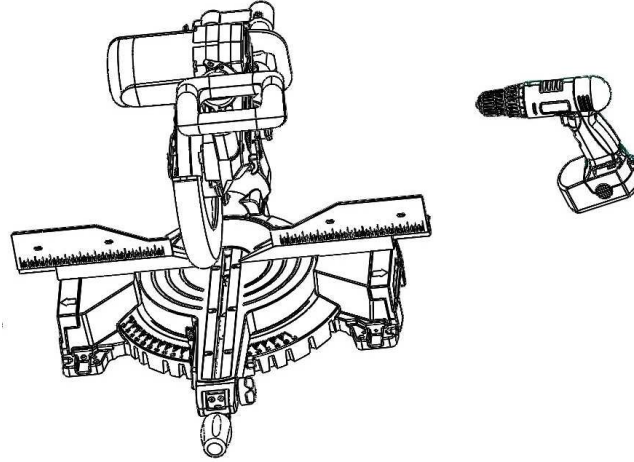
Installation Instruction Sheet

Linear Fixtures

Wall Track Instructions

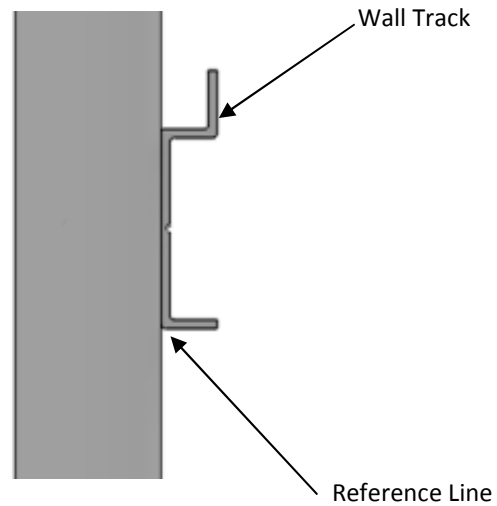
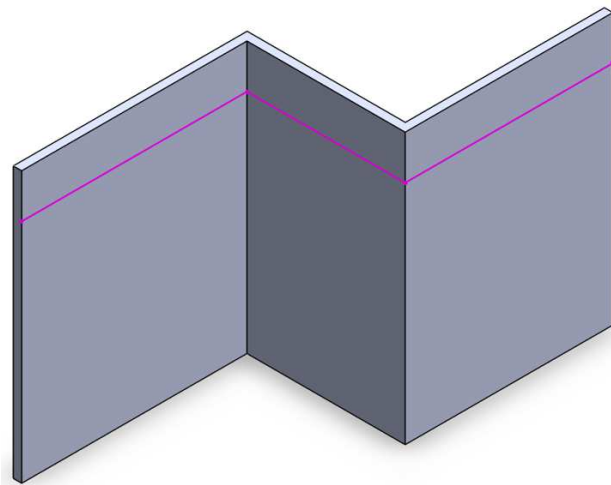
Tools Required:

- Aluminum Cutting Saw
- Pencil
- Screw gun



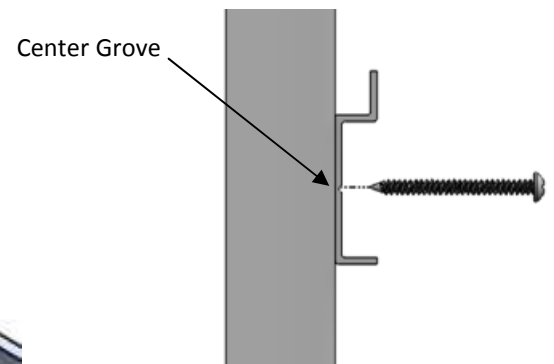
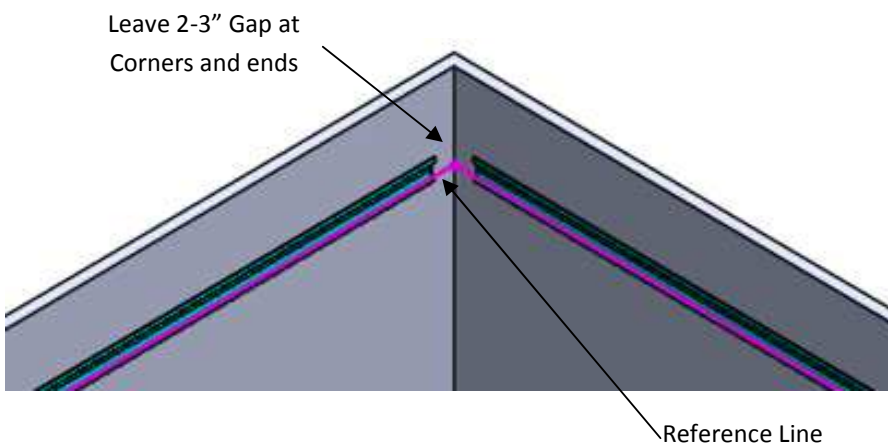
Step 1: Mark Wall Track line

- See Wall Track Mounting Calculation for Height
- Mark Reference Line Level



Step 2: Mount Wall Track

- Mount Track with Screws (By others) every 16 to 24" in Groove
- Pre-Drill holes for non-tread cutting screws

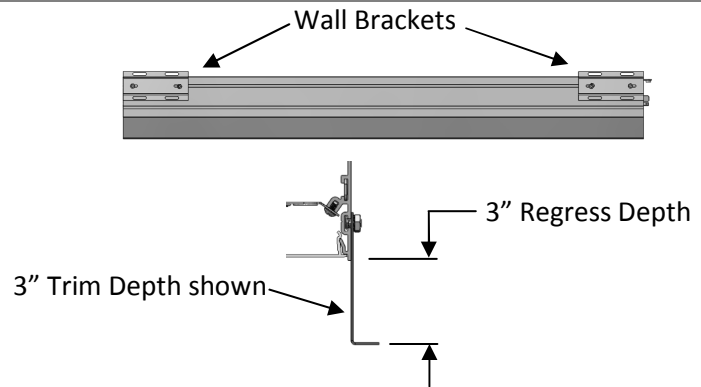


INSTALLATION INSTRUCTIONS

Linear Fixtures

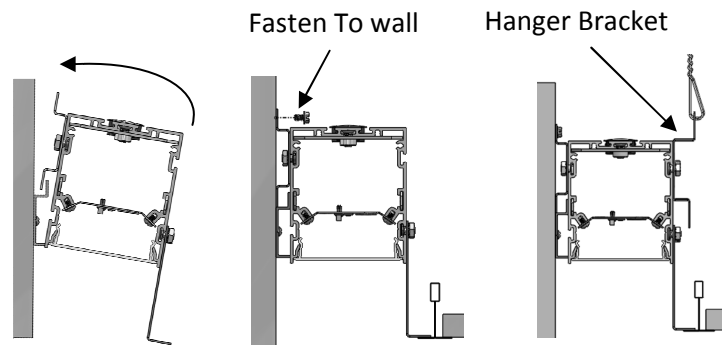
Prepare Fixture:

1. Attach Wall Brackets to fixture ends
2. Set Trim Depth to desired location



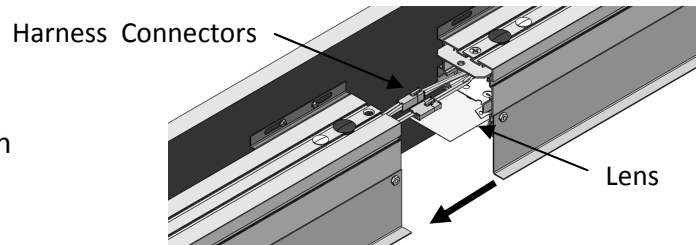
Installing Fixture:

1. Place 1st fixture on Wall Track and rotate in position as shown.
2. Fasten to wall with screws (by others)
3. Attach Hanger Brackets and support wire (by others) with supplied sliders and nuts

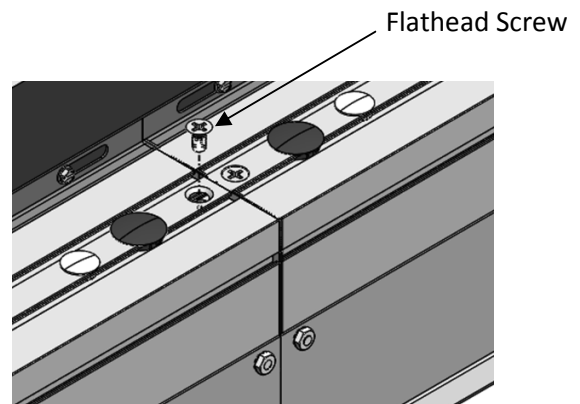


Row Mounted Fixture Installation:

1. Place second fixture on Wall Track and attach wire harness connections
2. Center small lens between fixtures to avoid light leak in applicable fixtures

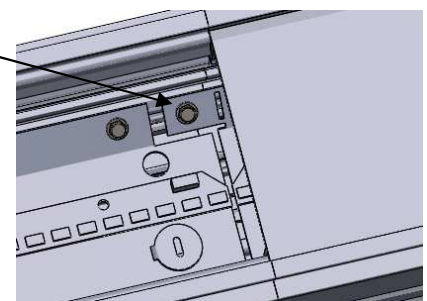


3. Slide fixtures together using tabs extending out to insure alignment. Connect fixtures using flathead screw on top side



4. Screw internal reflector down to joining fixture
5. Repeat steps 2 and 3 before adding more fixtures to row

Fasten Internal reflector tabs and Break tab at end of run.

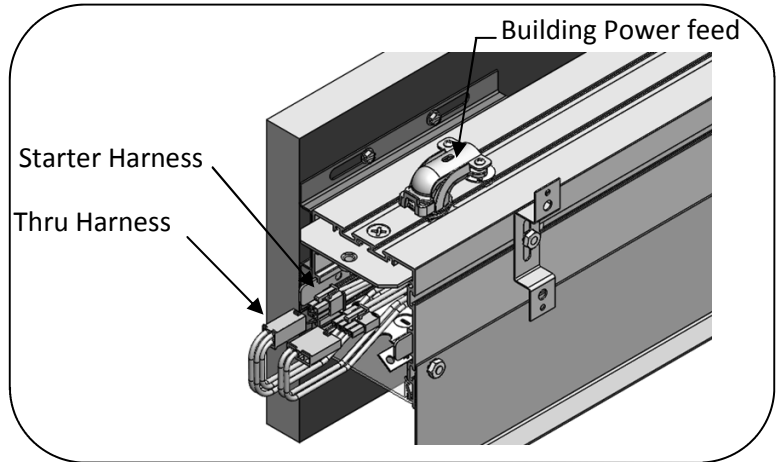


Installation Instruction Sheet

Linear Fixtures

INSTALLATION INSTRUCTIONS FOR POWER FEED

Bring conduit and conduit fitting (supplied by others) to the power feed hole location at the end of the housing or in end cap. Make the electrical connections to the building power using the starter harness and plug into the fixture thru harness. Use the wiring diagram included to identify wiring.

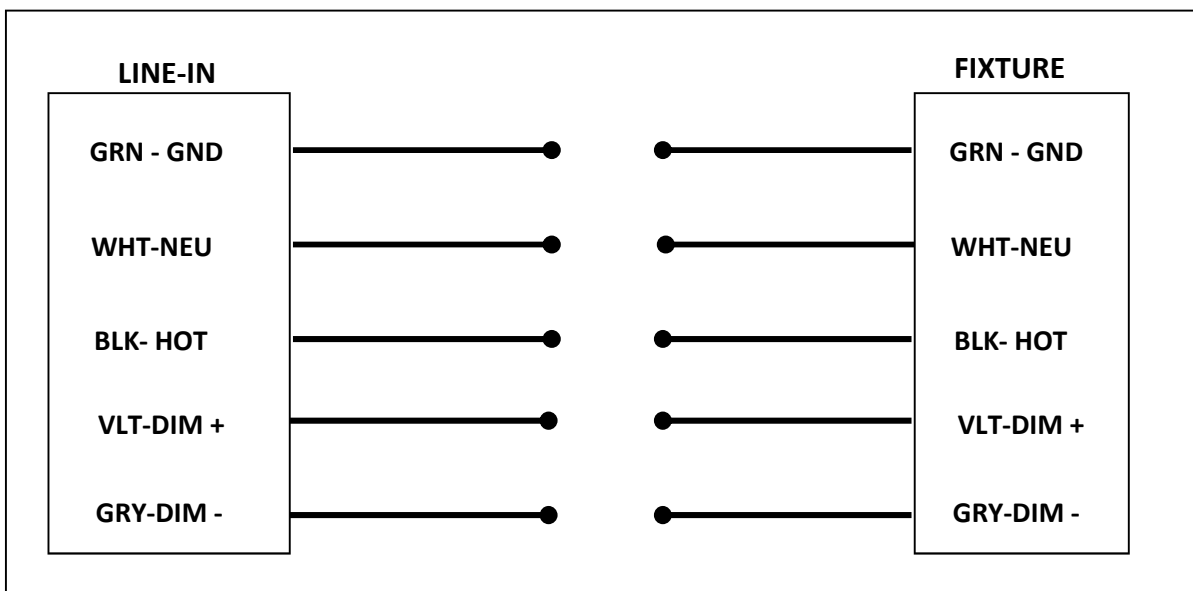


For special circuitry consult factory	
LINE WIRE COLOR	CIRCUIT DESCRIPTION
BLK	CIRCUIT A—HOT
WHT	CIRCUIT A & B— NEUTRAL
RED	CIRCUIT B— HOT
GRN	GROUNDING
VLT	DIMMING CONTROL 1
GRY	DIMMING CONTROL 2
ORG	EHS or EHF—HOT
WHT/ORG	EHS or EHF— NEUTRAL

Compliant to UL 1598



General Wiring Diagram



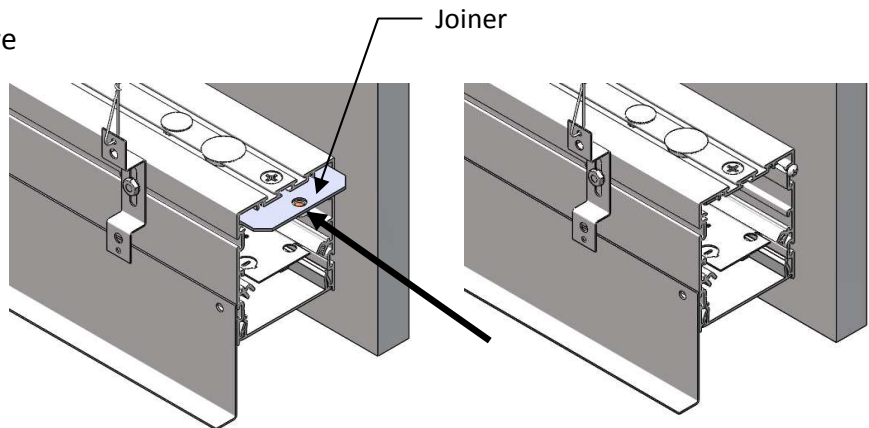
INSTALLATION INSTRUCTIONS

Linear Fixtures

End of Row:

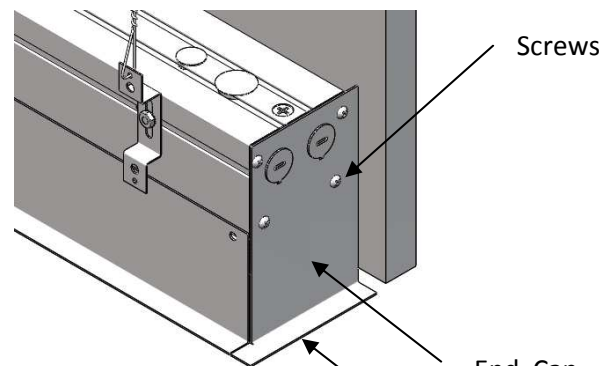
1. Ensure all items are inside the fixture

- Tuck harness
- Fold up reflector tabs
- Move Joiner to outside hole location to ensure bracket is on the inside of the housing.



2. Place Endcaps at end of rows and attach using supplied screws.

- Flange and Trimless
- Endcaps come with flat or Trim options to choose from (discard unused option)



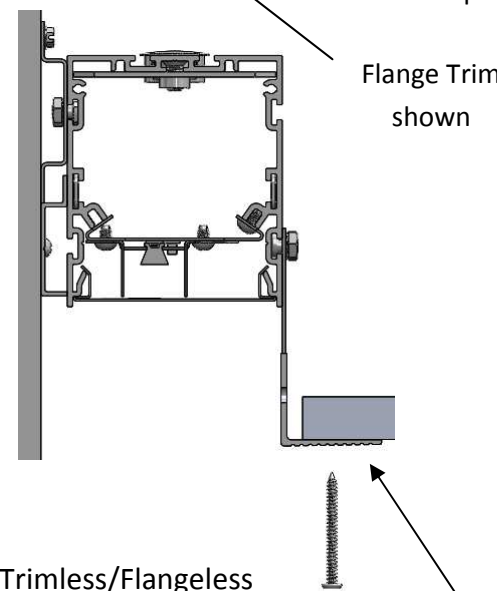
End Cap
Flange Trim shown

Ceiling Preparation:

For sheetrock applications Per-drill and countersink holes in mud flange and fasten with 3/16" screws (by others)

No screw heads should be exposed after sanding

Clean around exposed area



Mud and sand over trim before painting