

Installation Instruction Sheet

Linear Recessed Fixtures

INSTALLATION INSTRUCTIONS FOR MOUNTING RECESSED LINEAR FIXTURES

WARNING

To reduce the risk of death, injury or property damage from fire, electric shock, cuts, abrasions, falling parts and other hazards:

- Service of the equipment must be performed by qualified service personnel.
- Installation and maintenance must be performed by a person familiar with the construction and operation of this product and any hazards involved. All applicable codes and ordinances must be followed.
- Read this document before installing, servicing or maintaining this equipment. These instructions do not cover all installation, service and maintenance situations. If your situation is not covered, or, if you do not understand these instructions or additional information is required, contact Lux Illuminaire or your local agent.
- Read and follow all warnings and instructions provided by the LED manufacturer.

WARNING

- Before installing, servicing or maintaining this equipment, follow these general precautions. To reduce the risk of electrocution:
- Make sure the equipment is properly grounded.
- Always de-energize the circuit and/or equipment before connecting to, disconnecting from or servicing the equipment.

To prevent luminaire row from over-current:

- By adding the input current of each luminaire section marked on the luminaire, the total current per power feed must not exceed the maximum line wire amperage marked on the luminaire and the power feed cord/wire amperage rating whichever is the least.

To reduce the risk of fire:

- Keep material away that can burn from hot surfaces.
- Make sure LED boards are correctly installed.
- Use supply conductors with a minimum installation temperature rating as specified on equipment.

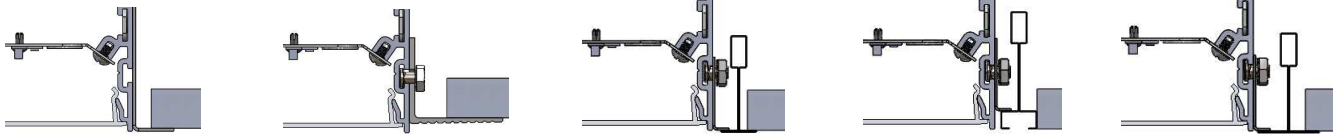
To reduce the risk of personal injury from cuts, abrasions or falling parts:

- Wear gloves to prevent cuts or abrasions from sharp edges when removing from carton, handling and maintaining this equipment.
- Do not use abrasive materials, glass cleaners or other solvents on reflector or lens. These substances may damage equipment and cause parts to eventually break and fall.
- Do not install a damaged fixture.

Installation Instruction Sheet

Linear Fixtures

MOUNTING TYPES & DIMENSION



Flange

Flangeless/Trimless

9/16" Grid

9/16" Grid

15/16" Grid

Flush

Flush

Tegular/Lay-In

Slot

Tegular/Lay-In

Flush

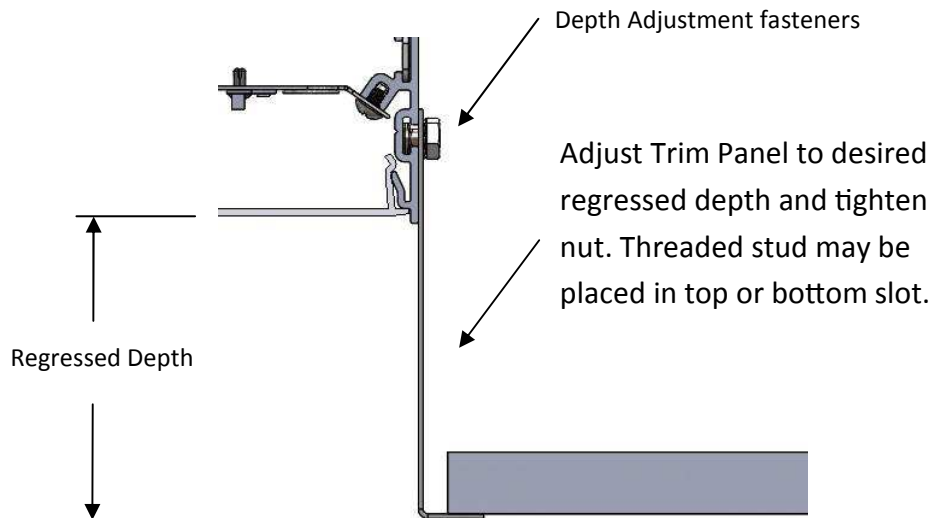
Flush

Flush

Mounting Depth Adjustment Range can be ordered at Flush, 1", 2", or 3"

(For shipping purposes 1", 2", and 3" trim is shipped flush)

**Before installation installers must set 1", 2", and 3" Regressed Trim in place with supplied fasteners



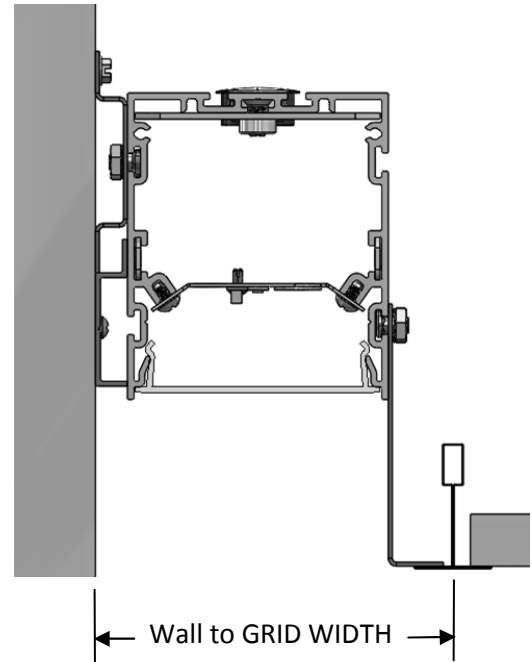
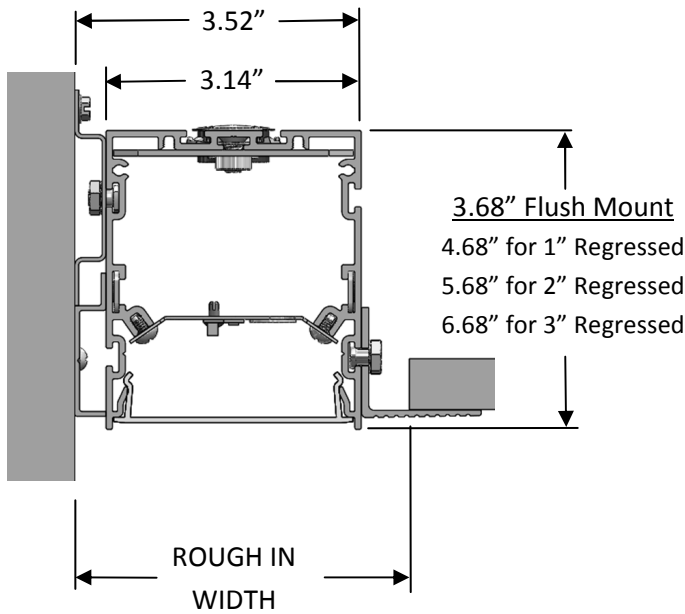
Installation Instruction Sheet

Linear Fixtures

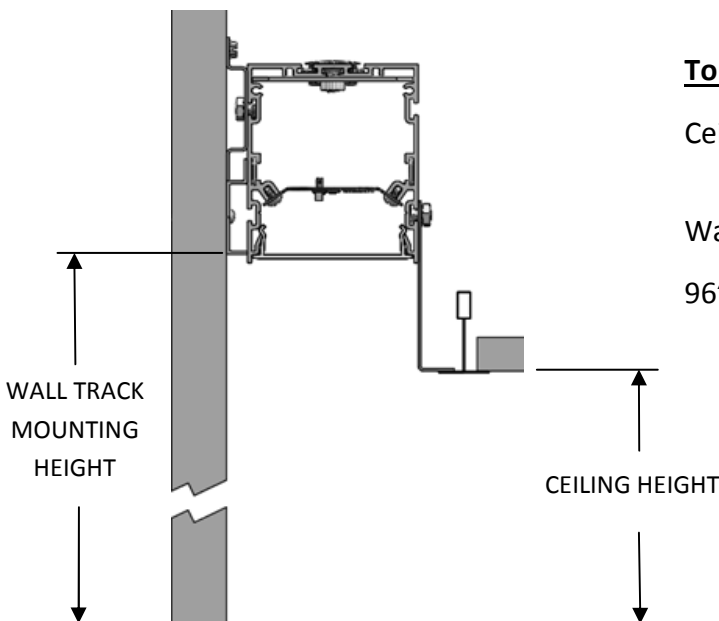
MOUNTING TYPES & DIMENSION

"Rough In" Width	
Mounting Type	
Flange	4"
Flangeless/Trimless	4"

Grid Mounting "Wall to Center Widths"	
Ceiling Type	
9/16" Slot	4-1/16"
"9/16" Tegular/Lay-in	3-7/8"
15/16" Tegular/Lay-in	4-1/4"



WALL TRACK MOUNTING DIMENSION



To determine Wall Track Mounting height.

$$\text{Ceiling Height} + \text{Regressed Depth} + 3/16''$$

Wall Track Mounting height Example:

$$96'' \text{ Ceiling} + 2'' \text{ Regressed Depth} + 3/16'' = 98-3/16''$$

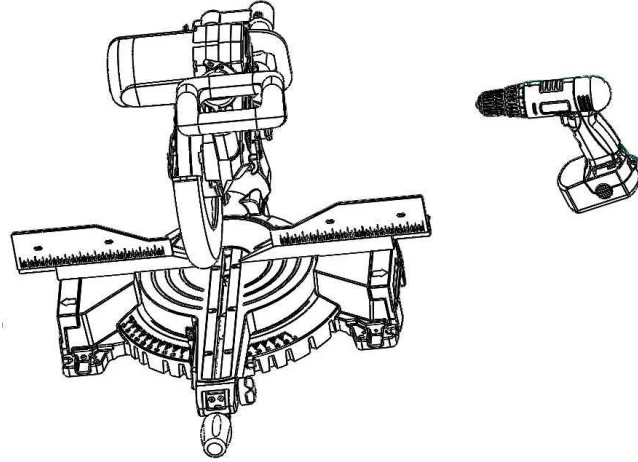
Installation Instruction Sheet

Linear Fixtures

Wall Track Instructions

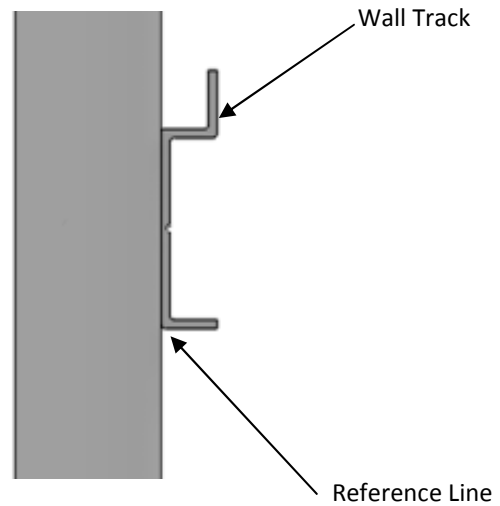
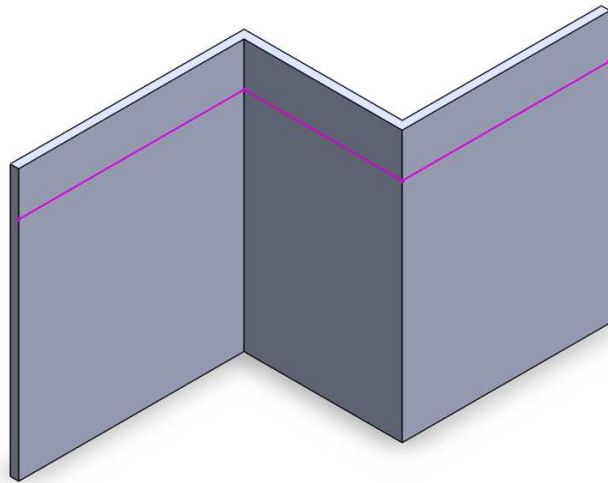
Tools Required:

- Aluminum Cutting Saw
- Pencil
- Screw gun



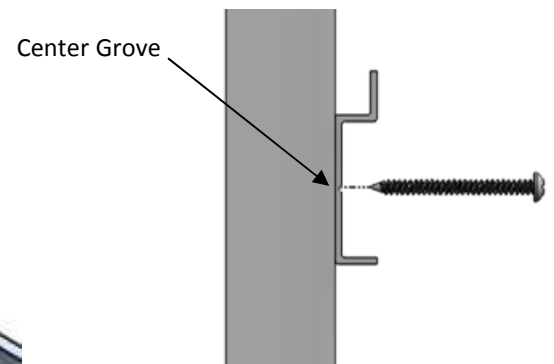
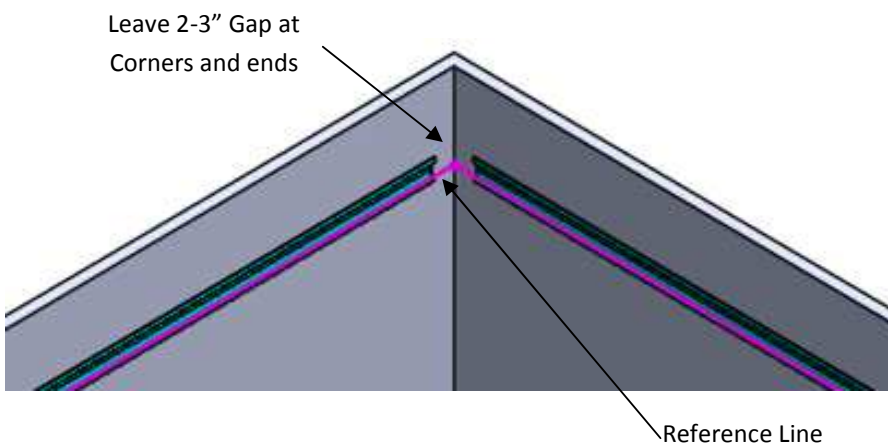
Step 1: Mark Wall Track line

- See Wall Track Mounting Calculation for Height
- Mark Reference Line Level



Step 2: Mount Wall Track

- Mount Track with Screws (By others) every 16 to 24" in Groove
- Pre-Drill holes for non-tread cutting screws

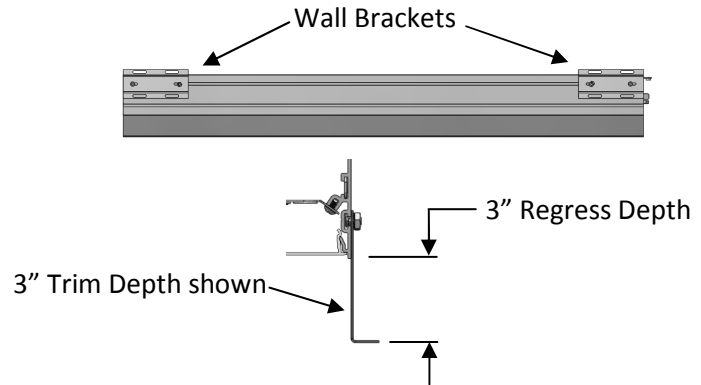


INSTALLATION INSTRUCTIONS

Linear Fixtures

Prepare Fixture:

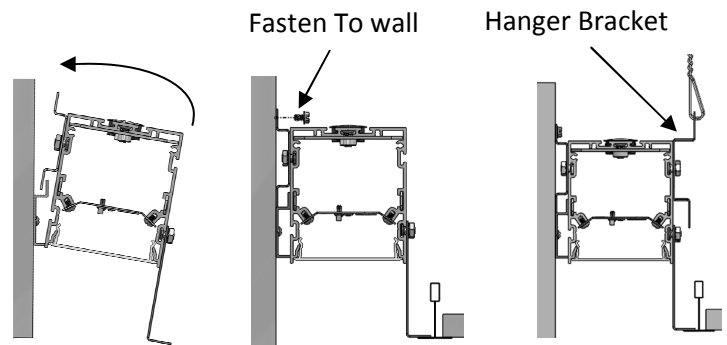
1. Attach Wall Brackets to fixture ends
2. Set Trim Depth to desired location



Installing Fixture:

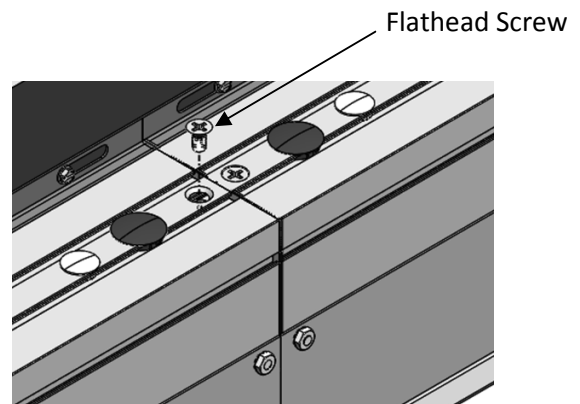
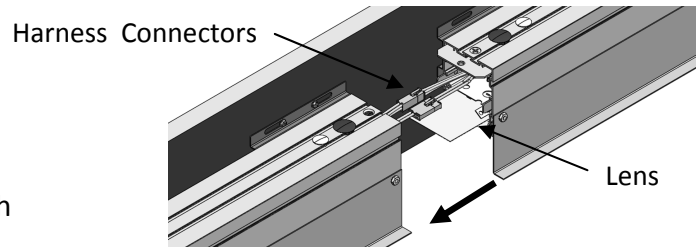
*Starting with Corner fixture is recommended.

1. Place 1st fixture on Wall Track and rotate in position as shown.
2. Fasten to wall with screws (by others)
3. Attach Hanger Brackets and support wire (by others) with supplied sliders and nuts

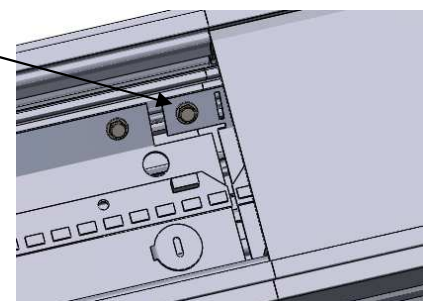


Row Mounted Fixture Installation:

1. Place second fixture on Wall Track and attach wire harness connections
2. Center small lens between fixtures to avoid light leak in applicable fixtures
3. Slide fixtures together using tabs extending out to insure alignment. Connect fixtures using flathead screw on top side
4. Screw internal reflector down to joining fixture
5. Repeat steps 2 and 3 before adding more fixtures to row



Fasten Internal reflector tabs and Break tab at end of run.

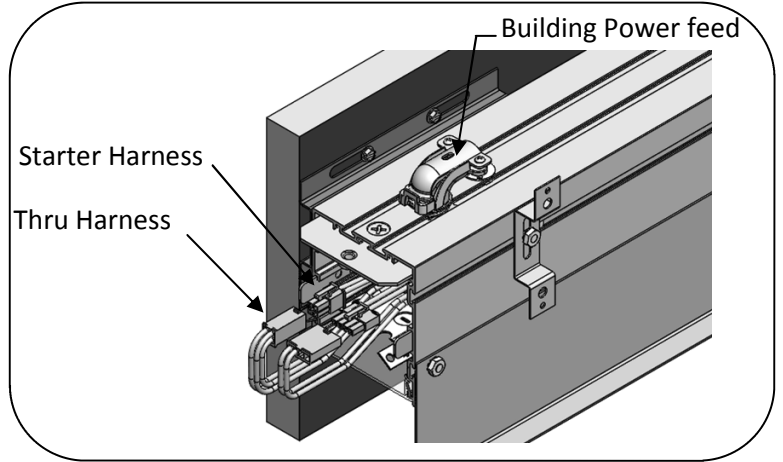


Installation Instruction Sheet

Linear Fixtures

INSTALLATION INSTRUCTIONS FOR POWER FEED

Bring conduit and conduit fitting (supplied by others) to the power feed hole location at the end of the housing or in end cap. Make the electrical connections to the building power using the starter harness and plug into the fixture thru harness. Use the wiring diagram included to identify wiring.

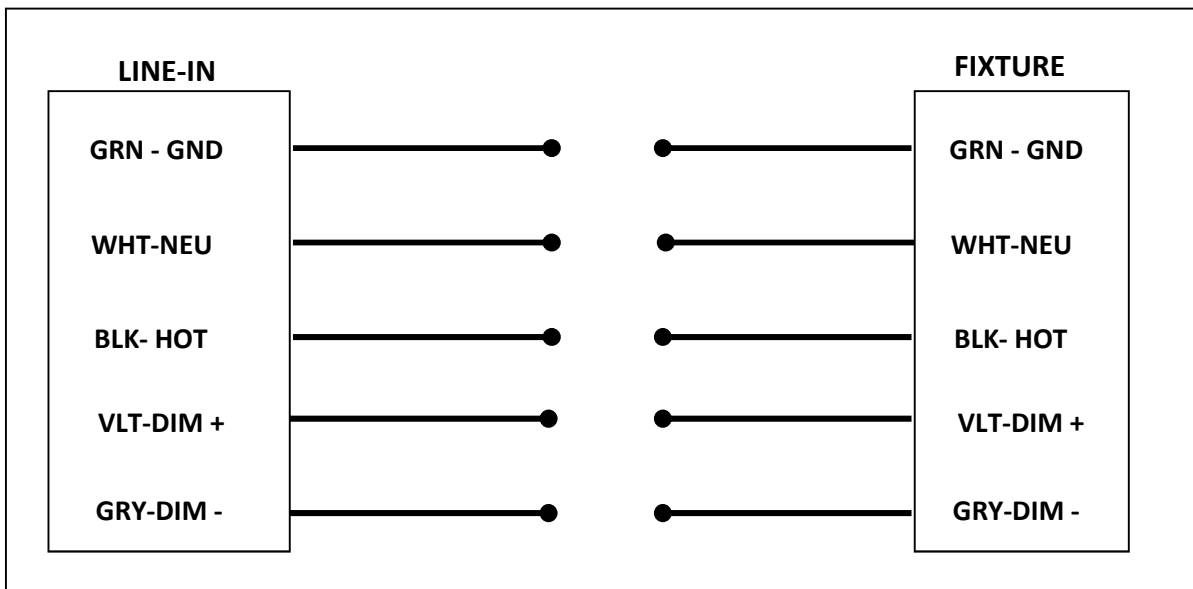


For special circuitry consult factory	
LINE WIRE COLOR	CIRCUIT DESCRIPTION
BLK	CIRCUIT A—HOT
WHT	CIRCUIT A & B— NEUTRAL
RED	CIRCUIT B— HOT
GRN	GROUNDING
VLT	DIMMING CONTROL 1
GRY	DIMMING CONTROL 2
ORG	EHS or EHF—HOT
WHT/ORG	EHS or EHF— NEUTRAL

Compliant to UL 1598



General Wiring Diagram



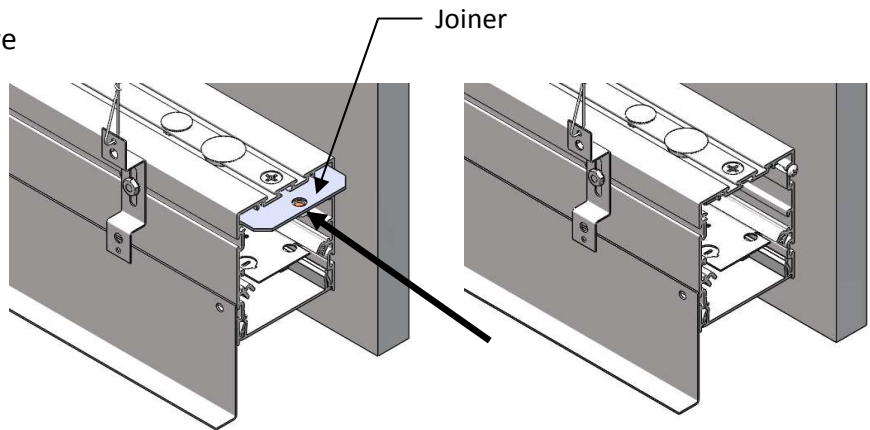
INSTALLATION INSTRUCTIONS

Linear Fixtures

End of Row:

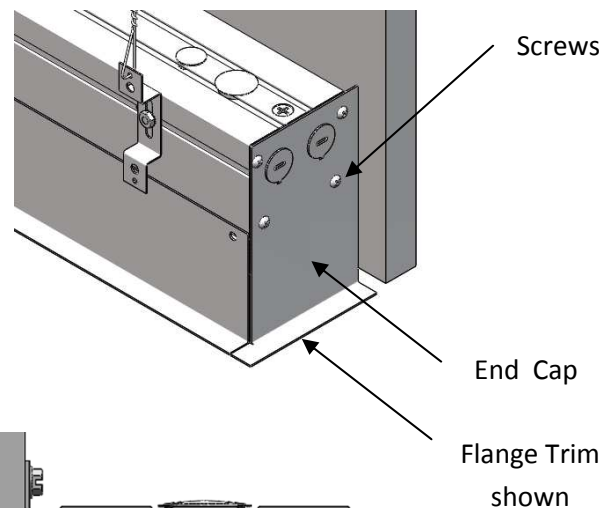
1. Ensure all items are inside the fixture

- Tuck harness
- Fold up reflector tabs
- Move Joiner to outside hole location to ensure bracket is on the inside of the housing.



2. Place Endcaps at end of rows and attach using supplied screws.

- Flange and Trimless
- Endcaps come with flat or Trim options to choose from (discard unused option)

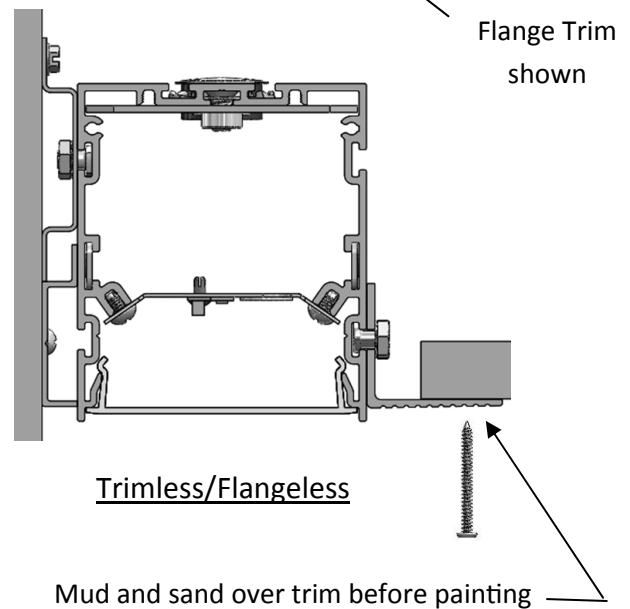


Ceiling Preparation:

For sheetrock applications Per-drill and countersink holes in mud flange and fasten with 3/16" screws (by others)

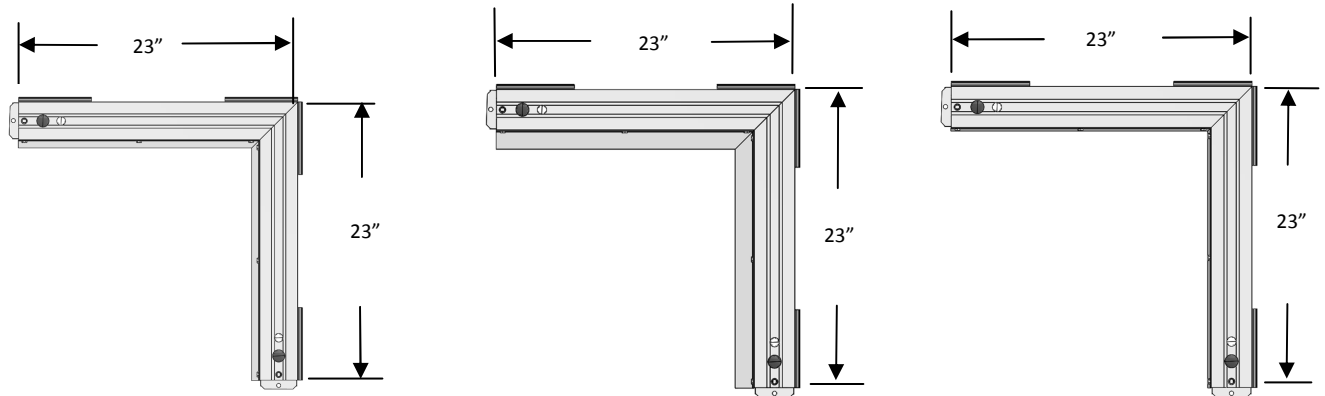
No screw heads should be exposed after sanding

Clean around exposed area

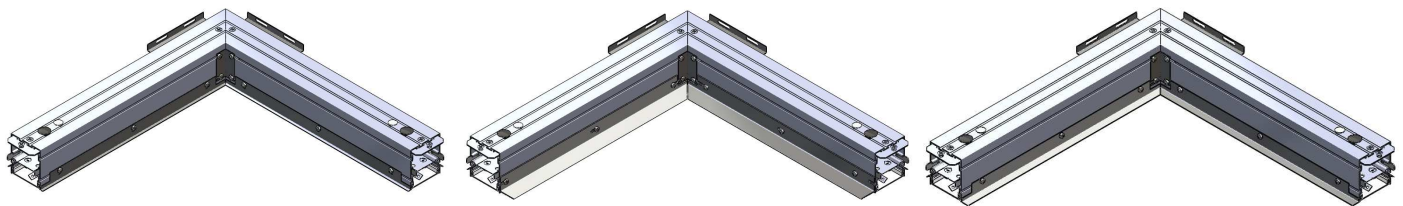


Linear Fixtures

Horizontal Corners



Horizontal Inside Corners

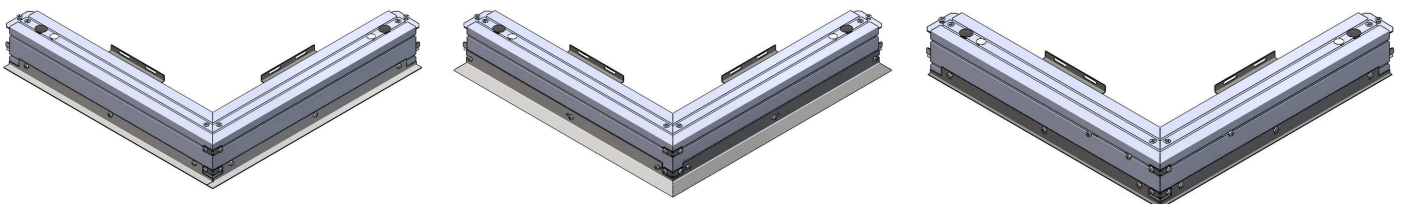


Flange corner

Trimless/Flangeless corner

Grid corner

Horizontal Outside Corners

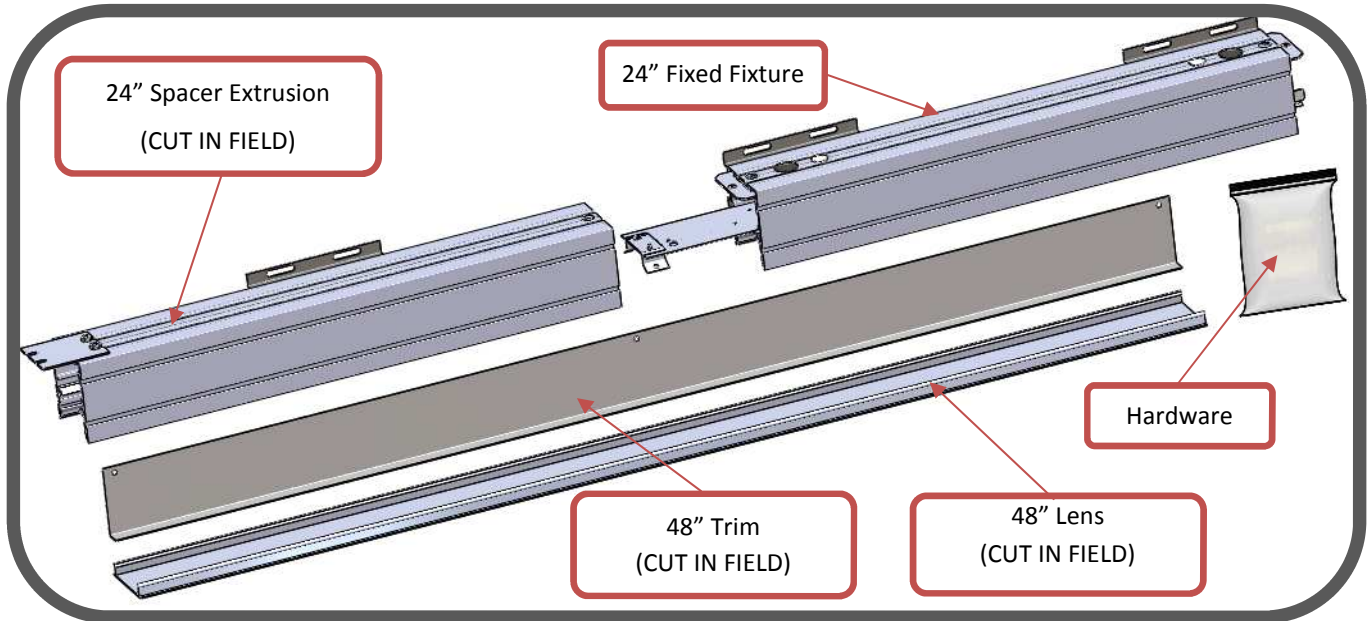


Installation Instruction Sheet

Linear Fixtures

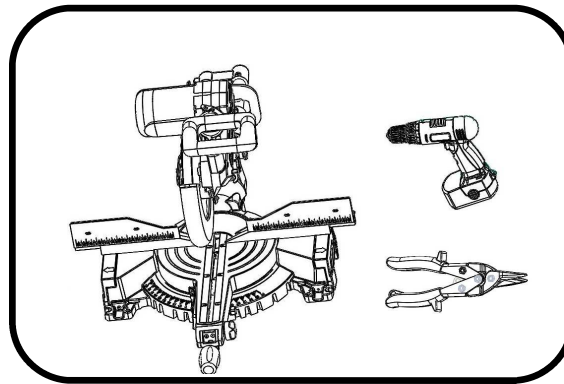
Telescopic Section Installation Instructions—End of Run

Parts Provided:

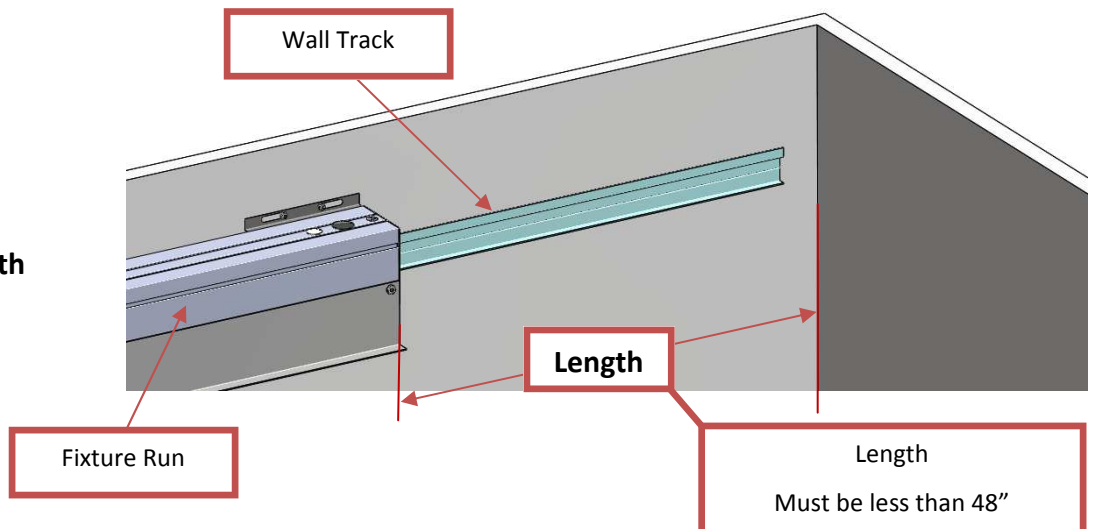


Tools Required:

- Aluminum Cutting Saw
- Screw gun
- Tin Snips



Measure Required Length



INSTALLATION INSTRUCTIONS

Linear Fixtures

Telescopic Section Installation Instructions—End of Run

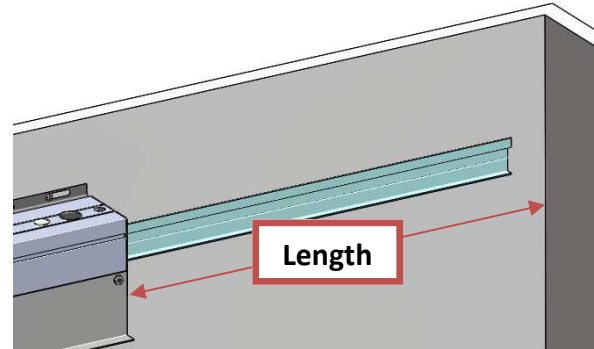
Cutting Telescopic Fixture To Length:

* **LENGTH** of Gap must be less than 48"

1. Calculate "Cut Dimension" by Subtracting **LENGTH** of Gap from 48"

Example for a 40" LENGTH of gap

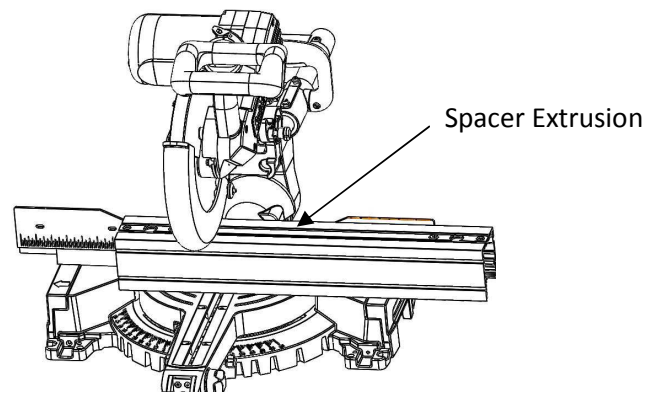
48" minus 40" = 8" Cut Dimension



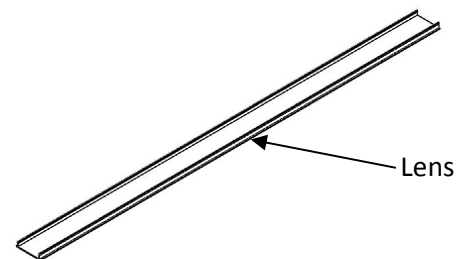
48" - Length = Amount to be cut from Telescopic Fixture

2. Trim "Cut Dimension" from Spacer Extrusion

- Use Aluminum Cutting Saw blade
- Ensure nothing is attached to housing

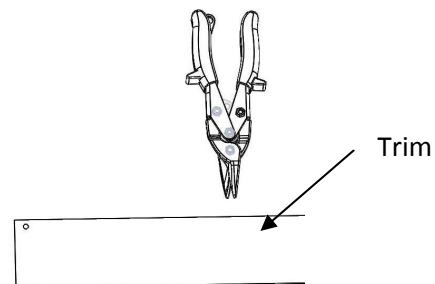


3. Trim "Cut Dimension" from Lens using a fine tooth saw blade or hacksaw. Cut slowly to avoid lens cracking



4. Trim "Cut Dimension" from Trim using Tin Snips or Cutting saw (for extrusion)

- Drill thru holes for mounting as required



INSTALLATION INSTRUCTIONS

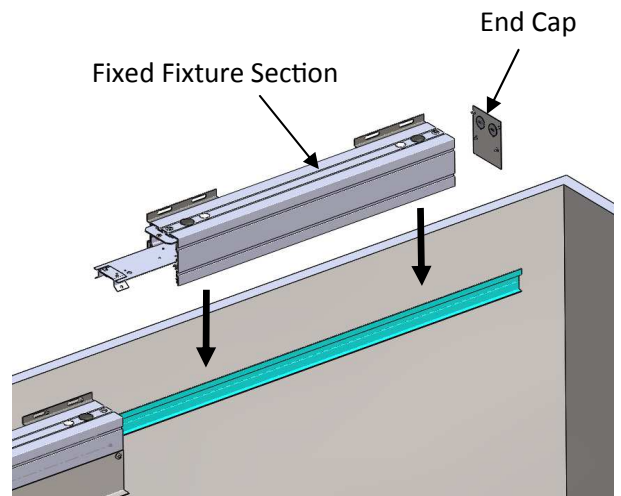
Linear Fixtures

Telescopic Section Installation Instructions—End of Run

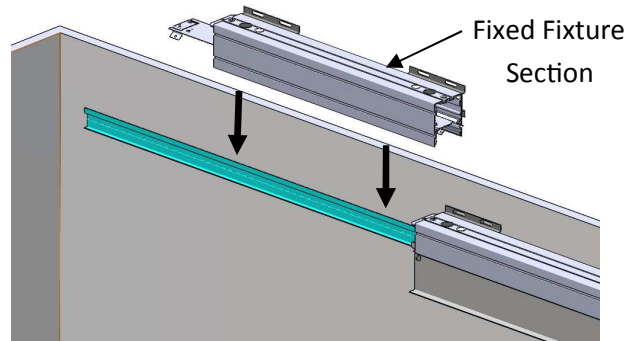
Installing Telescopic Fixture:

1. Always attach “Fixed Fixture” section of the Telescopic Fixture to the Wall Track first (Do not fasten to wall at this time)

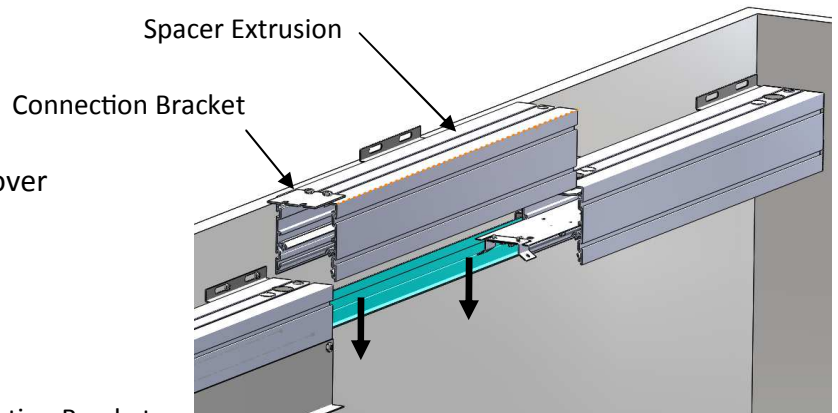
- Attached End Cap at end of run



- Attach wire harness when connecting to another fixture section

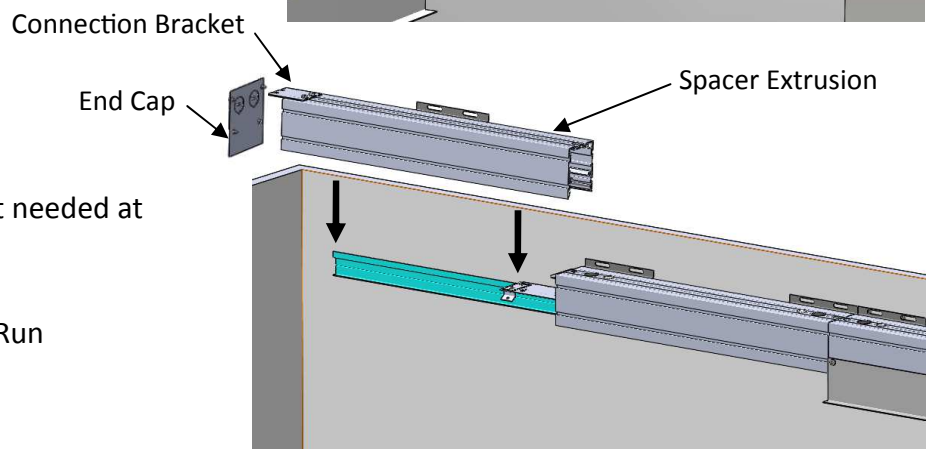


2. Install **CUT** “Spacer Extrusion” section over Telescopic reflector



- “Connection Bracket” not needed at end of run

- Attach End Cap at end of Run



INSTALLATION INSTRUCTIONS

Linear Fixtures

Telescopic Section Installation Instructions—End of Run

Installing Telescopic Fixture Continued:

3. Install fixture joining fasteners
 - Sliders & Nuts for Connection Bracket
 - Flathead Screw for Joiner Bracket

4. Attach Fixture to wall with screws (By others)

5. Attach remaining wire harnesses and extend “Telescopic Reflector” to the end of fixture
 - Fasten Reflector in place with Screws

6. Install **CUT** “Trim “ with Sliders and Nuts

7. Install **CUT** “Lens”

