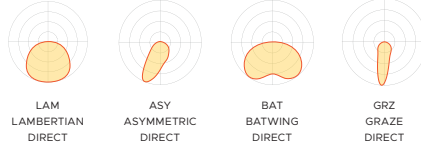
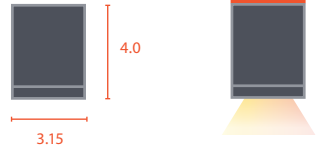


STANDARD FINISHES
Black, White, & Silver



UP TO 108 lm/W PERFORMANCE	
DIRECT LIGHT	WATTS PER FOOT
375 lm/ft	3.65
500 lm/ft	4.7
750 lm/ft	7.25
1000 lm/ft	9.85
1250 lm/ft	13.18

Performance based on 4-foot luminaire at 4,000K @ 25-degrees C



LIGHT LOSS FACTOR		
CCT	CRI	%
4000K	84+	100%
3500K	84+	97.1%
3000K	84+	95.7%
2700K	84+	94.1%
4000K	92+	88.9%
3500K	92+	85.5%
3000K	92+	83.8%
2700K	92+	82.4%

LUX | **ENABLED**

Covered Ceiling Mount Only

ORDER GUIDE

EOS 3.0 - P - D - WET

A	B	C	D	E	F	G	H	I	J	K	L	M	N (Multiple Selections)
---	---	---	---	---	---	---	---	---	---	---	---	---	-------------------------

EXAMPLE: EOS 3.0 - P - D - WET LAM 1000 6 40K 8 UNV SI W 9C ST 24 WC WF

OPTIONS

A. MODEL	B. DIRECT OPTICS	C. DIRECT DISTRIBUTION	D. LENGTH	E. COLOR TEMPERATURE
EOS 3.0 - P - D - WET	LAM Lambertian ASY Asymmetric BAT Batwing GRZ Graze	375 500 750 1000 1250 XXX Custom lm/ft	2 2 ft (24 in) 3 3 ft (36 in) 4 4 ft (48 in) 5 5 ft (60 in) 6 6 ft (72 in) 7 7 ft (84 in) 8 8 ft (96 in) XXX System Run	27K 2700K 30K 3000K 35K 3500K 40K 4000K WCT White Color Tuning 2700K - 6500K RGB Red, Green, Blue RGBW Red, Green, Blue, White

NOTES

Asymmetric direction is determined by lens position. Field adjustable for right or left throw. LAM only for RGB/RGBW	Consult factory for outputs between min and max.	WCT - max lm/ft is 1000 based on 80 CRI and 4000K. Other CCT's are available consult factory. LAM Optic only for RGB/RGBW
---	--	---

F. CRI	G. VOLTAGE	H. DRIVER	I. FINISH	J. MOUNTING
8 80+ CRI 9 90+ CRI	UNV 120-277v 347 347v	S1 1% Dimming (0-10v) LDE1 Lutron Hi-Lume 1% Fade to Black ELO 0.1% EldoLED DXL 1% Dexal	DXL2 Dexal 2-Chanel DALI DALI 2.0 Compatible PSX Lutron T Series DMX Controller/Driver	W White B Black S Silver CC Custom Colors 9C 9/16 in Tee Clip 15C 15/16 in Tee Clip SC Screw Slot Tee Clip HC Hard Ceiling

90 CRI option has an R9 value greater than 60.	347 may not be available in all configurations.	AWN-R-W, AWNR-B, VDO, VRF, SPD, & CLM options supplied with DXL driver standard.	Consult factory for custom colors (power feeds and canopies excluded)
--	---	--	---

OPTIONS

K. SUSPENSION TYPE	L. SUSPENSION LENGTH	M. POWER FEEDS & CANOPIES	N. CONTROLS & FACTORY OPTIONS
ST Stem Hanger AC Aircraft Cable	24 24 in 42 42 in 48 48 in 102 102 in 150 150 in	WF White Power Feed BF Black Power Feed SF Silver Power Feed WC White Canopy BC Black Canopy SC Silver Canopy	NONE Leave Blank EB Emergency Battery (10-Watt) EC Emergency Circuit NL Night Light Circuit

Aircraft cable suspension lengths are adjustable.	Custom lengths are available, consult factory.	Select feed and canopy choice.	EB option only available for lengths 4ft or greater. May choose more than one option in this category.
---	--	--------------------------------	---

LIGHT SOURCE

Long life name brand LED chips and boards to ensure the highest of quality while providing even and smooth illumination throughout our luminaires.

Our luminaires are available in 2700K, 3000K, 3500K and 4000K color temperature as well as White Color Tuning (2700-6500K).

Optional 80CRI or 90CRI available in all CCT options.

LUMEN MAINTENANCE

The projected lumen maintenance of the name brand mid-powered LED's are projected to maintain 80% (L80) of their initial output for +80,000 hours.

CONSTRUCTION

The housings are constructed of (6063T5) extruded aluminum. Our internal joiner system is designed to the highest of standards to ensure our precision cut housings align and fit tightly without light leak. Our precision fitting end caps are constructed out of die cast aluminum and our steel reflectors are painted white.

FINISH

Polyester powder, low gloss textured paint finish applied after a multi-stage pretreatment. Standard luminaire finishes include white, silver, and black. Custom color options are available. (Consult Factory).

JOINER CONNECTION FOR CONTINUOUS RUNS

Canopy with power feed drop must be sealed with waterproof sealant by installer.

For more information reference the Installation Guide on our website at: <https://www.luxilluminaire.com/installation-instructions>

OPTICS

Snap in extruded frosted acrylic lens

DRIVERS

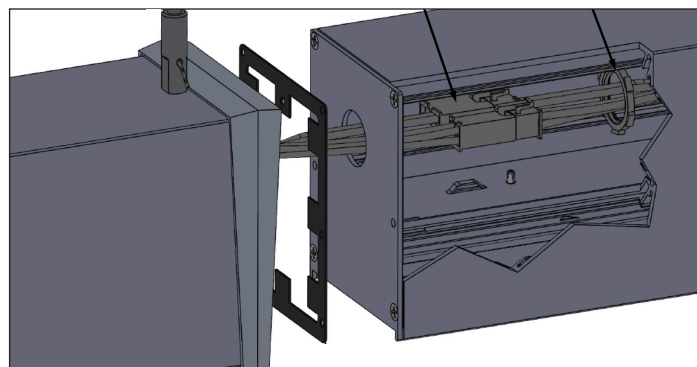
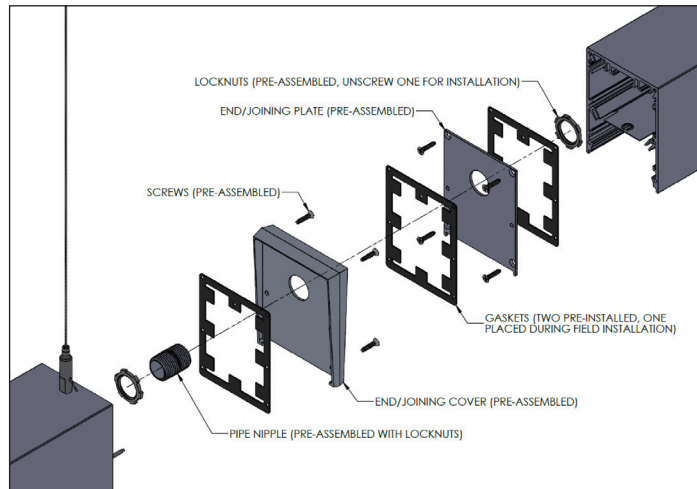
All of our luminaires come standard with 1% dimming and THD <20% utilizing 0-10v constant current protocol. 120v/277v is standard with the option of 347v. Driver ambient operating temperature -30°C to +50°C.

EMERGENCY

An integral factory installed 10 watt emergency battery pack. Emergency circuit and Night Light circuit options are available.

LUMINAIRE LENGTH

Our EOS 3.0 Pendant Direct WET luminaire series are available in 2', 3', 4', 5', 6', 7' and 8' individual lengths or continuous row configurations. Continuous row configurations are joined together on-site utilizing the joiner kits provided.



CONTINUOUS RUN ORDER GUIDES

Please use the following run guides for fixture ordering. If your product will require a submittal, our in-house Application Engineering Team will work closely with you on your project.

ALUMINUM PRODUCT ORDER GUIDE	
RUN LENGTH (ft)	RUN CONFIGURATION - SECTION LENGTHS
9	6' + 3'
10	6' + 4'
11	6' + 5'
12	6' + 6'
13	6' + 7'
14	8' + 6'
15	8' + 7'
16	8' + 8'
17	6' + 5' + 6'
18	6' + 6' + 6'
19	6' + 7' + 6'
20	8' + 4' + 8'
21	8' + 5' + 8'
22	8' + 6' + 8'
23	8' + 7' + 8'
24	8' + 8' + 8'
25	5' + 8' + 8' + 4'
26	4' + 6' + 6' + 6' + 4'
27	6' + 8' + 8' + 5'
28	6' + 8' + 8' + 6'
29	7' + 8' + 8' + 6'

*Standard Run Configurations Shown, Consult Factory for Custom Configurations.

ALUMINUM PRODUCT ORDER GUIDE	
RUN LENGTH (ft)	RUN CONFIGURATION - SECTION LENGTHS
30	6' + 6' + 6' + 6' + 6'
31	6' + 6' + 7' + 6' + 6'
32	8' + 8' + 8' + 8'
33	5' + 8' + 8' + 8' + 4'
34	6' + 8' + 8' + 8' + 4'
35	6' + 8' + 8' + 8' + 5'
36	6' + 8' + 8' + 8' + 6'
37	8' + 8' + 5' + 8' + 8'
38	8' + 8' + 6' + 8' + 8'
39	8' + 8' + 7' + 8' + 8'
40	8' + 8' + 8' + 8' + 8'
41	5' + 8' + 8' + 8' + 8' + 4'
42	6' + 8' + 8' + 8' + 8' + 4'
43	6' + 8' + 8' + 8' + 8' + 5'
44	6' + 8' + 8' + 8' + 8' + 6'
45	7' + 8' + 8' + 8' + 8' + 6'
46	3' + 8' + 8' + 8' + 8' + 3'
47	4' + 8' + 8' + 8' + 8' + 3'
48	8' + 8' + 8' + 8' + 8' + 8'
49	5' + 8' + 8' + 8' + 8' + 4'
50	6' + 8' + 8' + 8' + 8' + 4'

*Standard Run Configurations Shown, Consult Factory for Custom Configurations.

