

EOS 2.0 MINI Mullion Mounted Luminaire

Installation Instruction Sheet

Linear Fixtures

INSTALLATION INSTRUCTIONS FOR MOUNTING AND JOINING FIXTURES

WARNING

To reduce the risk of death, injury or property damage from fire, electric shock, cuts, abrasions, falling parts and other hazards:

- Service of the equipment must be performed by qualified service personnel.
- Installation and maintenance must be performed by a person familiar with the construction and operation of this product and any hazards involved. All applicable codes and ordinances must be followed.
- Read this document before installing, servicing or maintaining this equipment. These instructions do not cover all installation, service and maintenance situations. If your situation is not covered, or, if you do not understand these instructions or additional information is required, contact your local distributor.
- Read and follow all warnings and instructions provided by the manufacturer.

WARNING

- Before installing, servicing or maintaining this equipment, follow these general precautions to reduce the risk of electrocution:
- Make sure the equipment is properly grounded.
- Always de-energize the circuit and/or equipment before connecting to, disconnecting from or servicing the equipment.

To prevent luminaire row from over-current:

- By adding the input current of each luminaire section marked on the luminaire, the total current per power feed must not exceed the maximum line wire amperage marked on the luminaire and the power feed cord/wire amperage rating, whichever is the least.

To reduce the risk of fire:

- Keep flammable materials away from hot LEDs.
- Make sure LED boards are correctly installed.
- Use supply conductors with a minimum installation temperature rating as specified on equipment.

To reduce the risk of personal injury from cuts, abrasions or falling parts:

- Wear gloves to prevent cuts or abrasions from sharp edges when removing from carton, handling and maintaining this equipment.
- Do not use abrasive materials, glass cleaners or other solvents on reflector or lens. These substances may damage equipment and cause parts to eventually break and fall.
- Do not install a damaged fixture.

EOS 2.0 MINI Mullion Mounted Luminaire

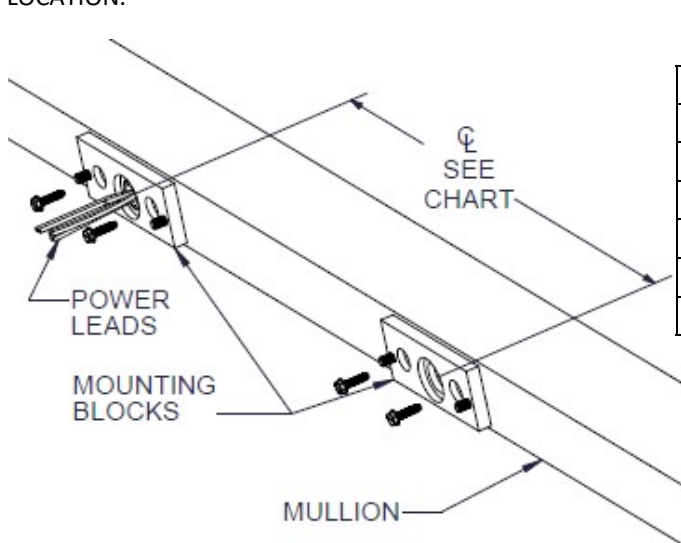
Typical Mounting Configuration

Linear Fixtures

1. INSTALL PROVIDED MOUNTING BLOCKS ON MULLION. LUMINAIRE CAN HAVE POWER WIRE ENTER FROM EITHER OF THE TWO MOUNTING BLOCKS. #10 OR EQUIVALENT SCREWS FOR MOUNTING THESE ARE NOT PROVIDED BY LUX ILLUMINAIRE.

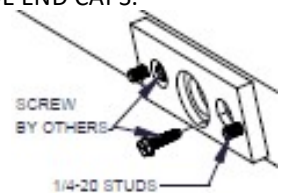
USE CHALK LINE OR LASER TO MARK LEVEL POSITION OF OTHER BRACKETS FOR FIXTURE OR ROW OF FIXTURES.

WARNING: ENSURE THAT MOUNTING LOCATION AND METHOD IS SUFFICIENT TO SUPPORT 40 LBS OF WEIGHT PER BRACKET LOCATION.



FIXTURE LENGTH	☉ DISTANCE	MOUNTING BLOCKS/FIXTURE
2'	16"	2
3'	24"	2
4'	32"	2
5'	32"	2
6'	64"	2
7'	64"	2
8'	64"	2

NOTE: LENGTH DOES NOT INCLUDE END CAPS.



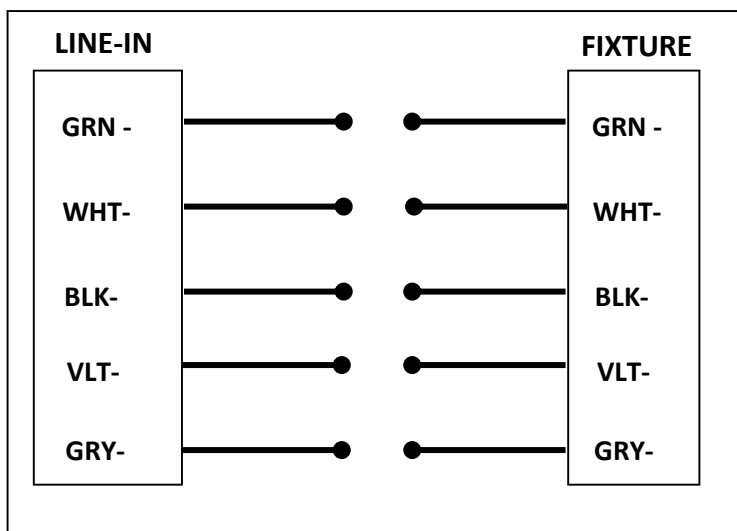
2. PULL POWER FEED WIRES (AND DIMMING WIRES IF DIMMING IS DESIRED) THROUGH CENTER OPENING OF MOUNTING BLOCK.

3. TO HANG UNIT: REMOVE LENS AND INTERNAL LED TRAY. PLACE LUMINAIRE ONTO THE MULLION, LINING UP AND PLACING THE FIXTURE SO AS TO HAVE THREADED STUDS OF MOUNTING BLOCKS AND POWER WIRES COME THRU THE MATING HOLES IN THE HOUSING. FASTEN FIXTURE TO MULLION USING THE 1/4-20 NUTS OVER THE MOUNTING BLOCK STUDS.

4. CONNECT WIRING - CONNECT FEED WIRES FROM LUMINAIRE TO FEED WIRES PER THE LOCAL ELECTRICAL CODE, PER THE WIRING DIAGRAM IN THESE INSTRUCTIONS. CONNECT DIMMING WIRES IF NEEDED.

5. RE-INSTALL THE INTERNAL LED TRAY AND LENS

General Wiring Diagram



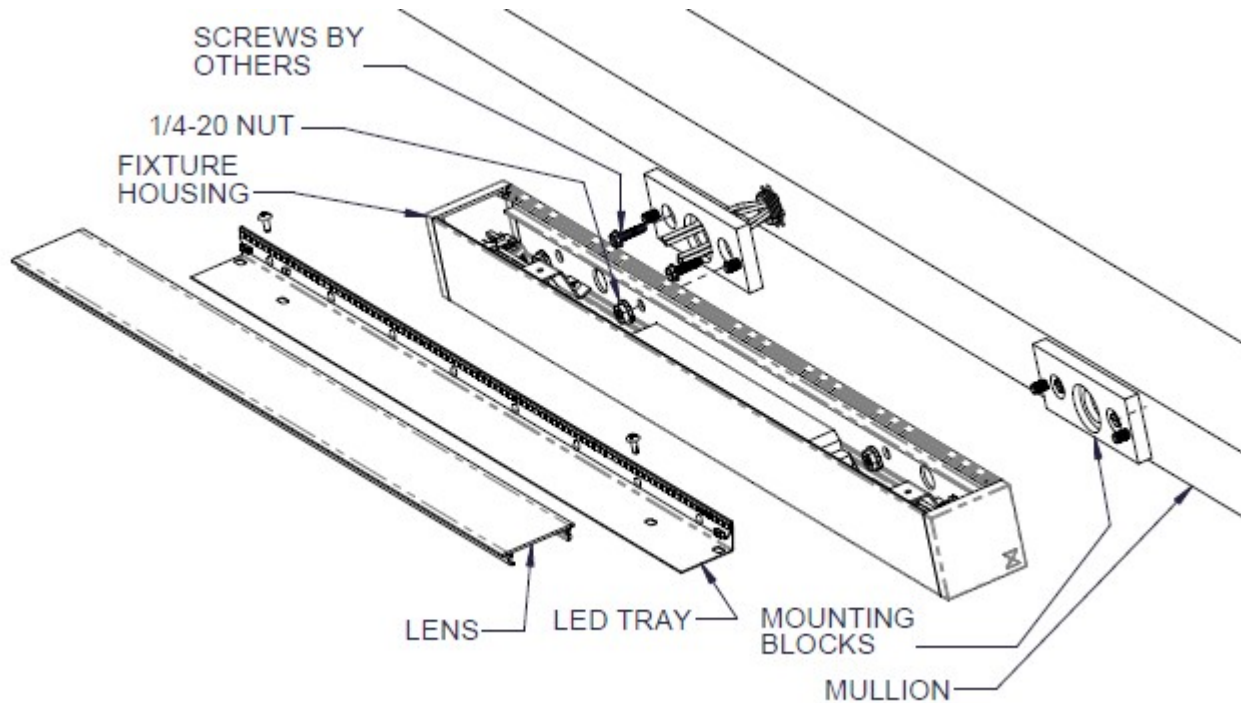
For special circuitry consult factory	
LINE WIRE COLOR	CIRCUIT DESCRIPTION
BLK	CIRCUIT A—HOT
WHT	CIRCUIT A & B— NEUTRAL
RED	CIRCUIT B— HOT
GRN	GROUNDING
VLT	DIMMING CONTROL 1
GRY	DIMMING CONTROL 2
ORG	EHS or EHF—HOT
WHT/ORG	EHS or EHF— NEUTRAL

EOS 2.0 MINI Mullion Mounted Luminaire

Hanging Fixture

Linear Fixtures

WHEN HANGING FIXTURE [1] FIRST REMOVE THE LENS AND LIFT OUT THE INTERNAL LED TRAY ALLOWING ACCESS TO MOUNTING HARDWARE LOCATIONS AND WIRE COMPARTMENT. [2] FASTEN THE MOUNTING BLOCKS TO THE MULLION . [3] FASTEN THE FIXTURE TO THE MOUNTING BLOCKS. [4] CONNECT WIRING. [5] RE-INSTALL THE INTERNAL LED TRAY AND LENS.



Row Mounting

AFTER INSTALLING THE FIRST FIXTURE IN THE ROW THE SAME WAY AS DESCRIBED ABOVE, INSTALL THE SECOND FIXTURE IN THE ROW IN THE ADJACENT POSITION WHILE THE FIRST FIXTURE STILL DOES NOT HAVE THE LENS AND LED TRAY IN IT SINCE ACCESS TO THE HOUSING INTERIOR WILL BE NECESSARY.

ENSURE THAT, PRIOR TO THE INSTALLMENT OF THE SECOND FIXTURE, THE JOINER SPLINE IS PUSHED INBOARD TO EITHER OF THE FIXTURES BEING JOINED SUCH THAT ONCE THE TWO FIXTURES ARE INSTALLED ONTO THE WALL, THEN THE JOINER SPLINE CAN THEN BE PUSHED BACK TO BE EVENLY POSITIONED BETWEEN THEM.

WHILE ADJACENTS HOUSINGS ARE ENSURED TO BE IN CONTACT WITH EACH OTHER, FASTEN THE 4 SCREWS THAT THEN TIE AND HOLD THE TWO FIXTURES TOGETHER THROUGH THE JOINER SPLINE.

JOIN THE WIRE HARNESS-ES.

ONCE THE LAST FIXTURE IN THE ROW HAS BEEN INSTALLED AND JOINED THEN THE LED TRAYS AND LENSES CAN BE PUT BACK

