

Installation Instruction Sheet

Linear Fixtures

INSTALLATION INSTRUCTIONS FOR JOINING AND MOUNTING FIXTURES

WARNING

To reduce the risk of death, injury or property damage from fire, electric shock, cuts, abrasions, falling parts and other hazards:

- Service of the equipment must be performed by qualified service personnel.
- Installation and maintenance must be performed by a person familiar with the construction and operation of this product and any hazards involved. All applicable codes and ordinances must be followed.
- Read this document before installing, servicing or maintaining this equipment. These instructions do not cover all installation, service and maintenance situations. If your situation is not covered, or, if you do not understand these instructions or additional information is required, contact Lux Illuminaire or your local agent.
- Read and follow all warnings and instructions provided by the LED manufacturer.

WARNING

- Before installing, servicing or maintaining this equipment, follow these general precautions. To reduce the risk of electrocution:
- Make sure the equipment is properly grounded.
- Always de-energize the circuit and/or equipment before connecting to, disconnecting from or servicing the equipment.

To prevent luminaire row from over-current:

- By adding the input current of each luminaire section marked on the luminaire, the total current per power feed must not exceed the maximum line wire amperage marked on the luminaire and the power feed cord/wire amperage rating whichever is the least.

To reduce the risk of fire:

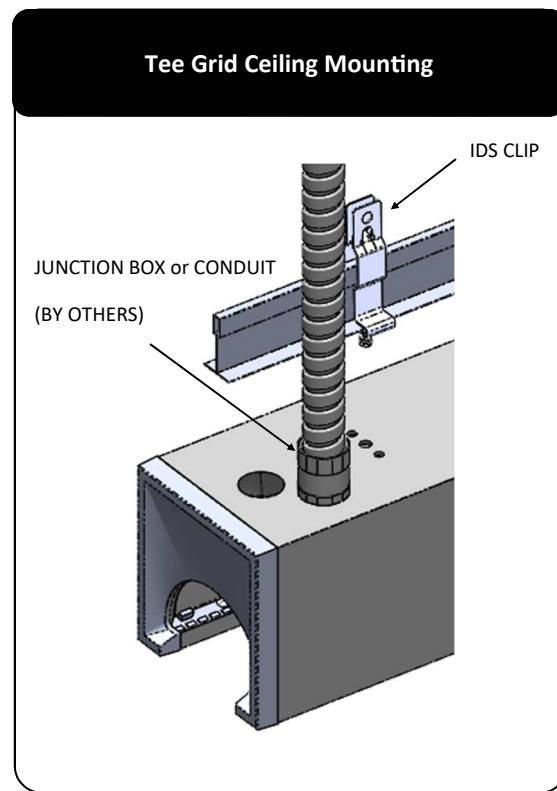
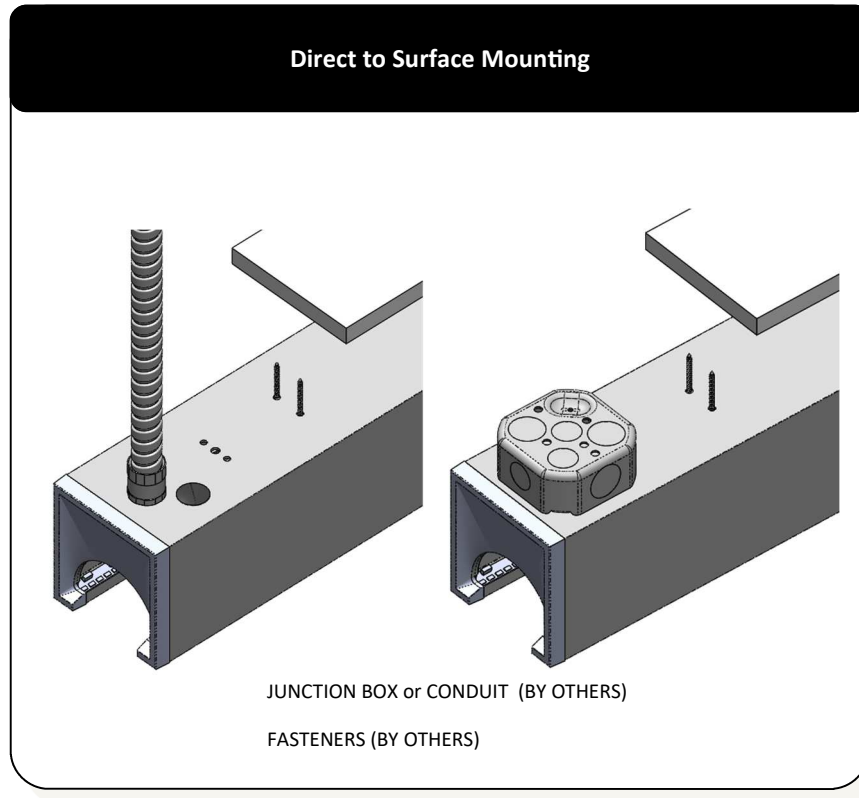
- Keep material away that can burn from hot LEDs.
- Make sure LED boards are correctly installed.
- Use supply conductors with a minimum installation temperature rating as specified on equipment.

To reduce the risk of personal injury from cuts, abrasions or falling parts:

- Wear gloves to prevent cuts or abrasions from sharp edges when removing from carton, handling and maintaining this equipment.
- Do not use abrasive materials, glass cleaners or other solvents on reflector or lens. These substances may damage equipment and cause parts to eventually break and fall.
- Do not install a damaged fixture.

Typical Mounting Configurations

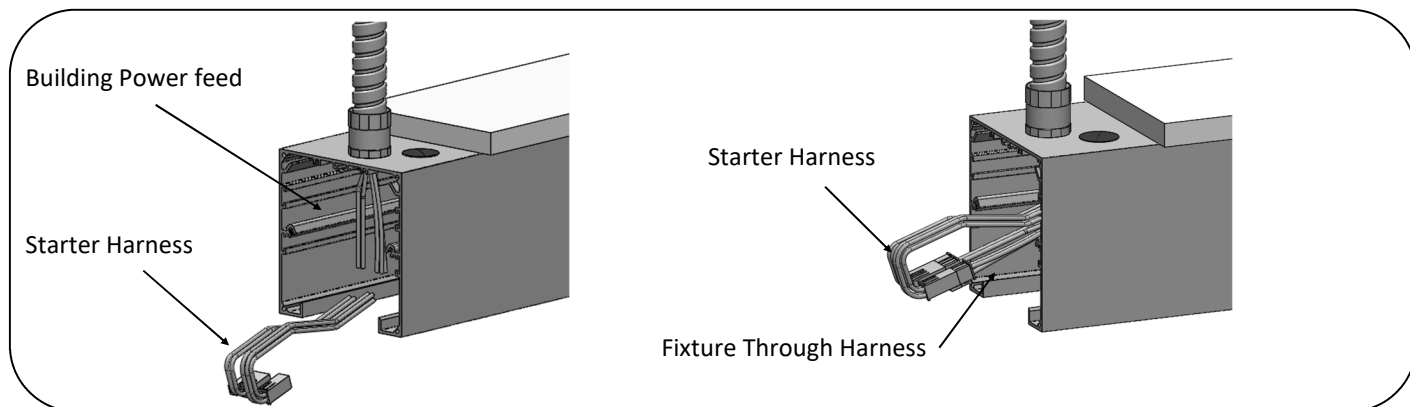
Linear Fixtures



Installation Instruction Sheet

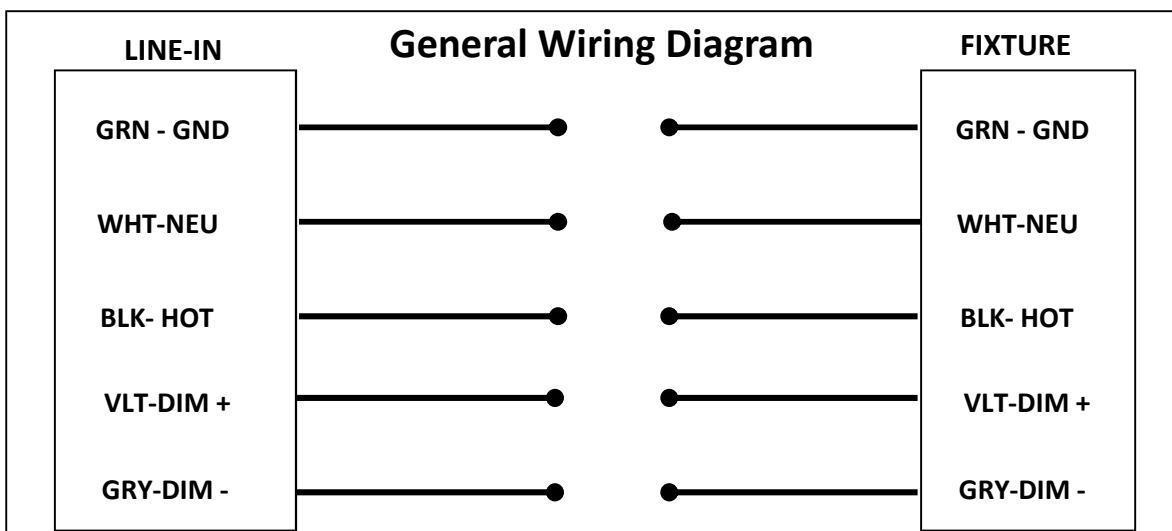
Linear Fixtures

INSTALLATION INSTRUCTIONS FOR POWER FEED



Insert building power feed through housing hole by **conduit** or **Junction box** (supplied by others). Splice Building power to “Starter Harness” according to the wiring diagram below.

Plug “Starter Harness” into fixture “Through Harness”. Plug (supplied) any unused feed holes.

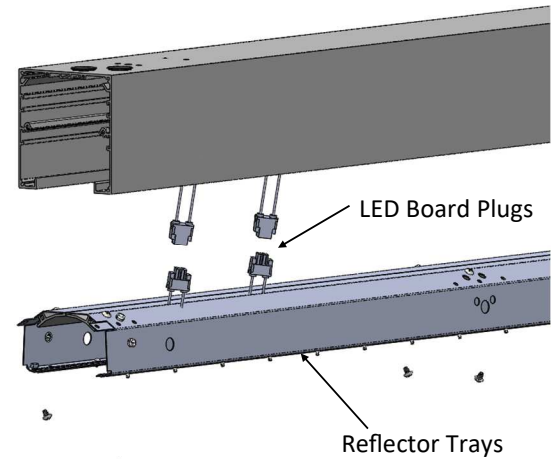
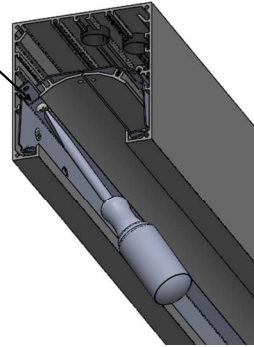


For special circuitry consult factory	
LINE WIRE COLOR	CIRCUIT DESCRIPTION
BLK	CIRCUIT A—HOT
WHT	CIRCUIT A & B— NEUTRAL
RED	CIRCUIT B— HOT
GRN	GROUNDING
VLT	DIMMING CONTROL 1
GRY	DIMMING CONTROL 2
ORG	EHS or EHF—HOT
WHT/ORG	EHS or EHF— NEUTRAL

Prepare fixture for mounting:

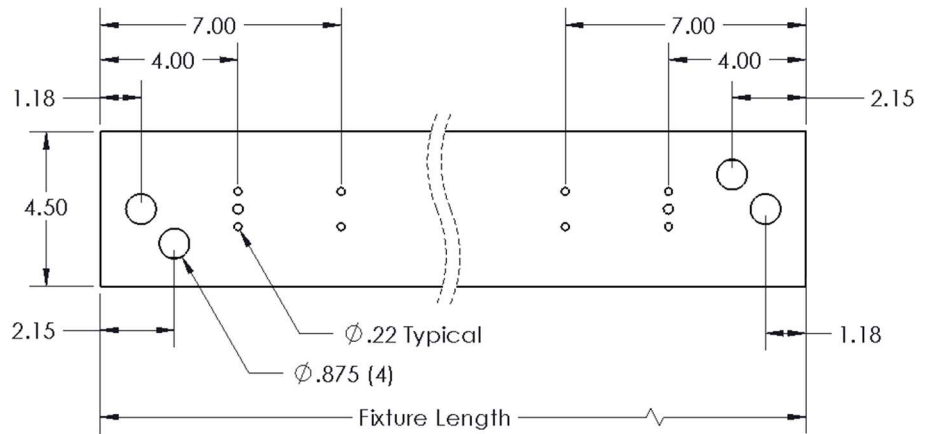
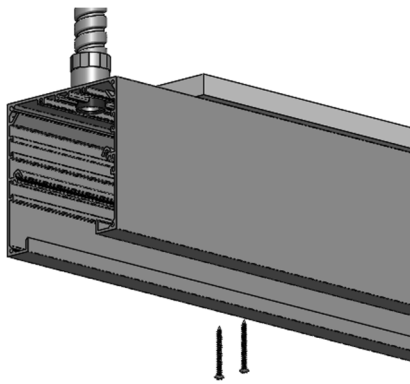
Remove Reflector Trays from fixture by removing screws and disconnecting LED board wiring plugs (Orange connectors).

Tray Screws



LED Board Plugs

Reflector Trays



Mount First Fixture to Ceiling and Connect Building Power

Secure fixture to surface with screws (by others) on both ends. (Use IDS Clips for Grid systems)

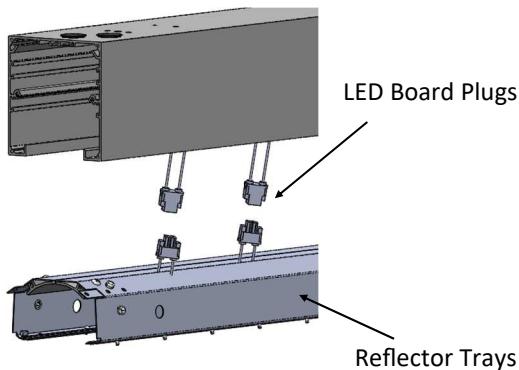
Mounting hole pattern as shown. Fixture is 4 lbs./ft.

Attach Conduit or J-Box (by others) and connect Supply wires (as shown on Page 3)

Reassemble Fixture:

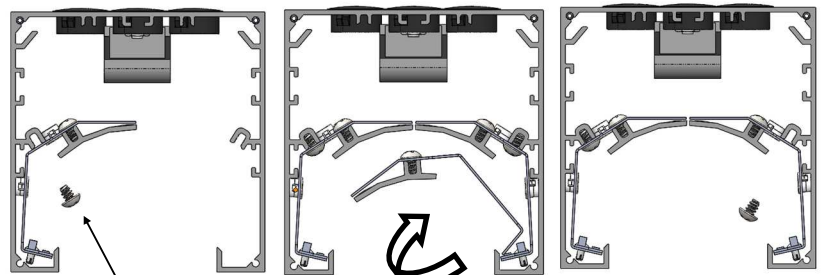
(This step **After**– Securing fixture, connecting supply wire, & connecting Starter Harness to Through Harness)

Connect LED Board Plugs (Orange connectors) and Attach Reflector Trays to fixture with screws.



LED Board Plugs

Reflector Trays



Attach 1st Tray

Attach 2nd Tray
Rotate into Position

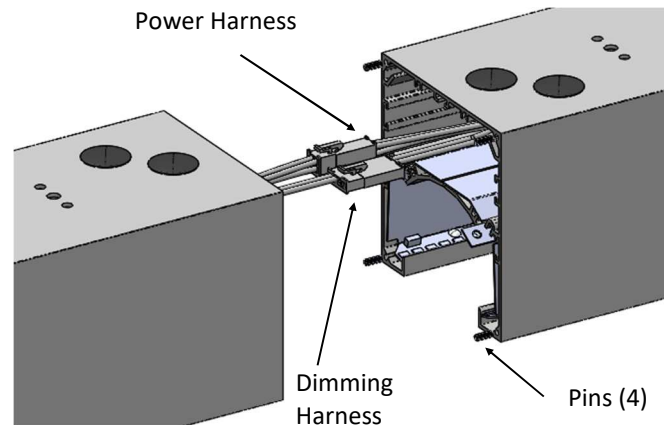
Fasten 2nd Tray
with screws

INSTALLATION INSTRUCTIONS FOR JOINING FIXTURES

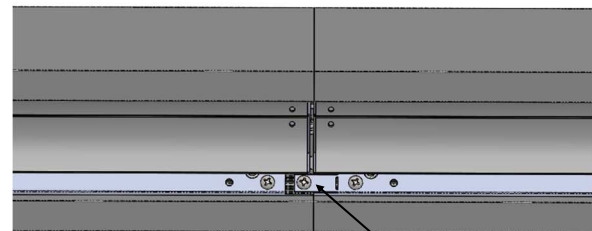
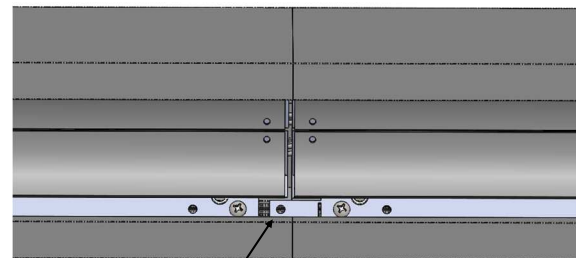
To attach fixtures for continuous runs:

Connect Power and dimming Harness to
adjoin light fixture(s).

Slide mating fixture into pins until fixtures
are tight against each other.

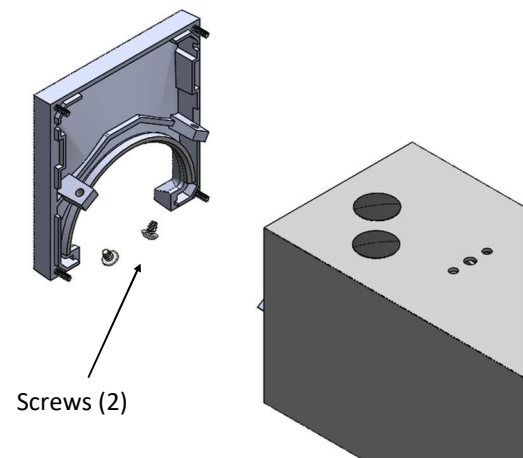


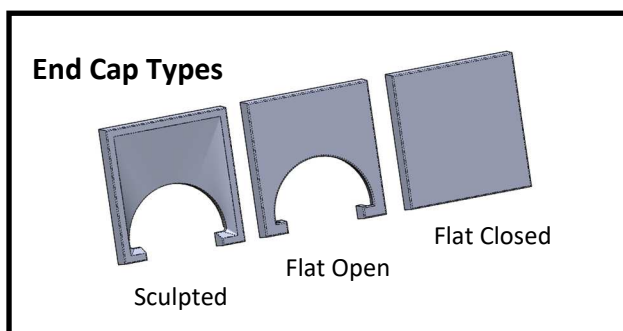
Fasten down Reflector Tray tabs in mating fixture
with supplied screws



End Cap Installation: Tuck in harness at the end of rows and
attach endcaps using supplied screws.

Fold reflector tabs up until they break off at the end of rows.





INSTRUCTIONS FOR INSTALLING REFLECTOR MATERIAL

AFTER THE FIXTURE IS MOUNTED IN PLACE

Tools and Materials Needed

Tape



Cotton Gloves (Supplied)



Reflector Roll (Supplied)

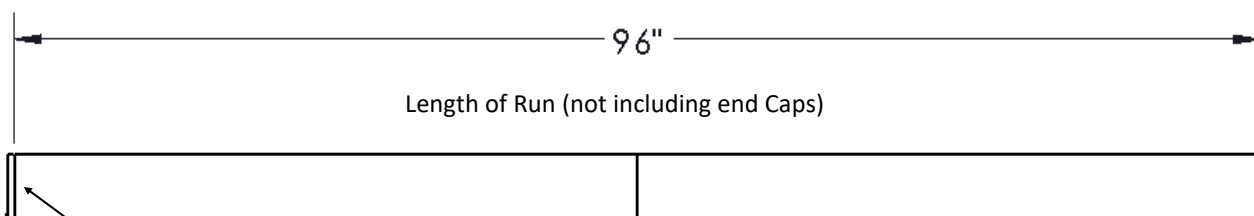


Cut Reflector to Length

Calculate Reflector Length

Runs with Flat End Caps = Length of Run minus 1/2"

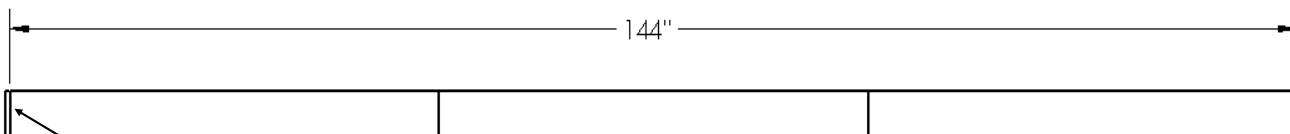
Runs with Sculpted End Caps = Length of Run minus 7/16"



Flat End Caps of each End

Example 1

Reflector Length in this example would be 96" (Length of Run) **minus** 1/2" (Flat End Cap Calculation) = 95.50"



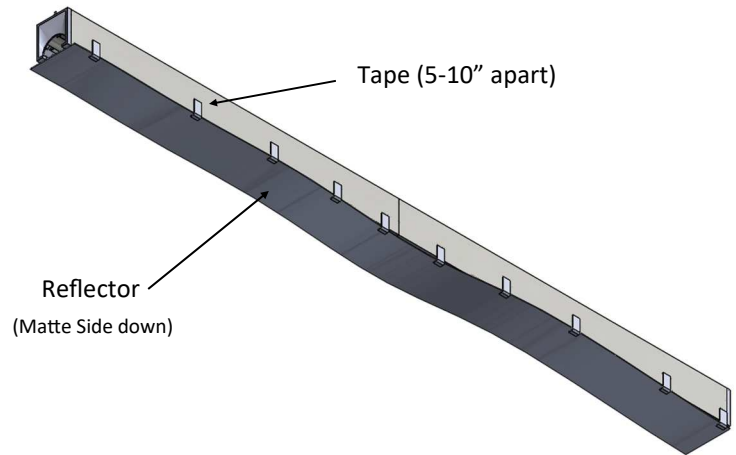
Sculpted End Caps of each End

Example 2

Reflector Length in this example would be 144" (Length of Run) **minus** 7/16" (Sculpted End Cap Calculation) = 143.57"

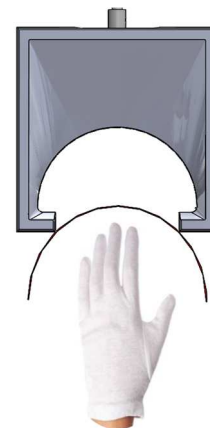
INSTRUCTIONS FOR INSTALLING REFLECTOR MATERIAL CONTINUED

Tape Reflector with Matte side down to housing

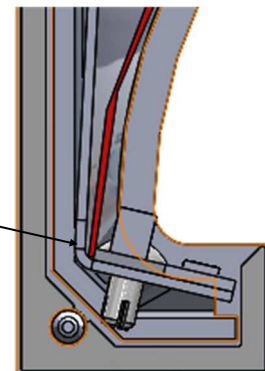


Push Reflector upward and remove tape

Using cotton gloves, gently tuck reflector in place by pushing upward and tucking the reflector behind the LED boards.



Tuck reflector under endcap ledge to hide cut ends by sliding reflector under.
(Make sure that the reflector is tucked behind all LEDs on both sides of fixture.)



REFLECTOR CLEANING INSTRUCTIONS:

For Dust and Particles that are on Reflector - Wipe with a soft lint-free cloth (such as microfiber)

For difficult deposits cleaning can be done with a soft cloth and water