

## Installation Instruction Sheet

### Linear Recessed Fixtures

#### INSTALLATION INSTRUCTIONS FOR MOUNTING RECESSED LINEAR FIXTURES

##### WARNING

To reduce the risk of death, injury or property damage from fire, electric shock, cuts, abrasions, falling parts and other hazards:

- Service of the equipment must be performed by qualified service personnel.
- Installation and maintenance must be performed by a person familiar with the construction and operation of this product and any hazards involved. All applicable codes and ordinances must be followed.
- Read this document before installing, servicing or maintaining this equipment. These instructions do not cover all installation, service and maintenance situations. If your situation is not covered, or, if you do not understand these instructions or additional information is required, contact Lux Illuminaire or your local agent.
- Read and follow all warnings and instructions provided by the LED manufacturer.

##### WARNING

- Before installing, servicing or maintaining this equipment, follow these general precautions. To reduce the risk of electrocution:
- Make sure the equipment is properly grounded.
- Always de-energize the circuit and/or equipment before connecting to, disconnecting from or servicing the equipment.

To prevent luminaire row from over-current:

- By adding the input current of each luminaire section marked on the luminaire, the total current per power feed must not exceed the maximum line wire amperage marked on the luminaire and the power feed cord/wire amperage rating whichever is the least.

To reduce the risk of fire:

- Keep material away that can burn from hot surfaces.
- Make sure LED boards are correctly installed.
- Use supply conductors with a minimum installation temperature rating as specified on equipment.

To reduce the risk of personal injury from cuts, abrasions or falling parts:

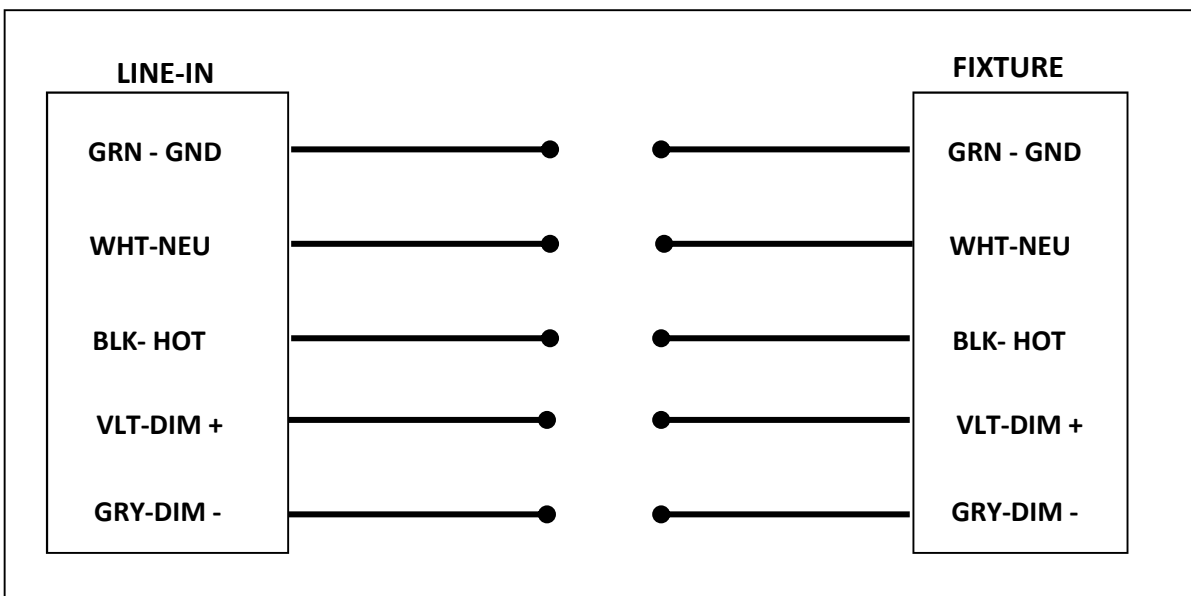
- Wear gloves to prevent cuts or abrasions from sharp edges when removing from carton, handling and maintaining this equipment.
- Do not use abrasive materials, glass cleaners or other solvents on reflector or lens. These substances may damage equipment and cause parts to eventually break and fall.
- Do not install a damaged fixture.

For special circuitry consult factory

LINE WIRE COLOR	CIRCUIT DESCRIPTION
BLK	CIRCUIT A—HOT
WHT	CIRCUIT A & B— NEUTRAL
RED	CIRCUIT B— HOT
GRN	GROUNDING
VLT	DIMMING CONTROL 1
GRY	DIMMING CONTROL 2
ORG	EHS or EHF—HOT
WHT/ORG	EHS or EHF— NEUTRAL

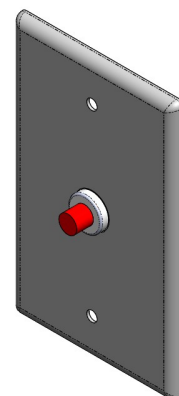
POWER FEED CORD COLOR	
14x3 BLK/WHT/GRN	CIRCUIT A & EMERGENCY
14x4 BLK/WHT/GRN/RED	CIRCUIT B, OR CIRCUIT A W/ EHS
18x5 BLK/WHT/GRN/VLT/GRY	CIRCUIT A & EMERGENCY & DIM

## General Wiring Diagram



For Emergency fixtures a test button and

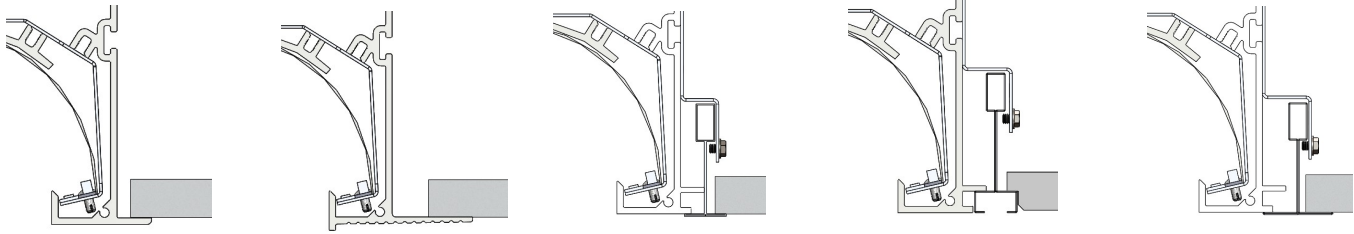
A 2x4 cover plate will be supplied to be remote mounted by installer. A 2x4 j-box (supplied by other) must be used for plate to attached



## Installation Instruction Sheet

### Linear Fixtures

### MOUNTING TYPES & DIMENSION



Flange

Flangeless/  
Trimless

9/16" Grid  
Tegular/Lay-In

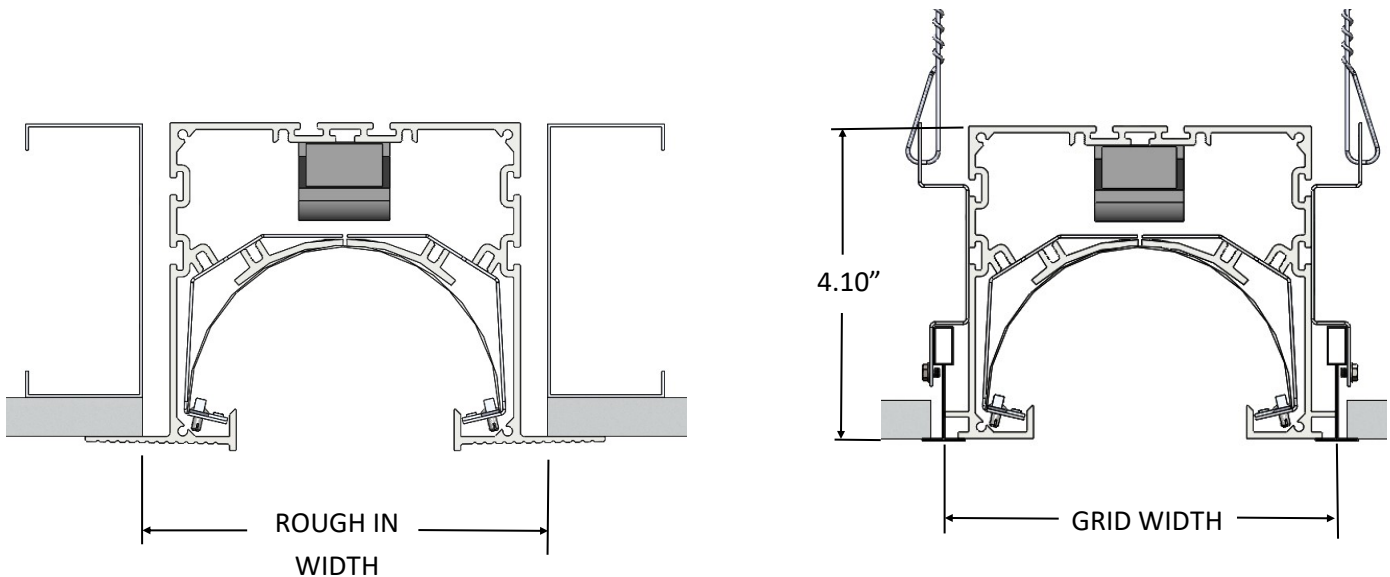
9/16" Grid  
Slot

15/16" Grid  
Tegular/Lay-In

"Rough In" Width	
Mounting Type	ARX
Flange	4-3/4- 5"
Flangeless/Trimless	4-3/4-5-1/2"

Grid Mounting Center Widths	
Ceiling Type	ARX
9/16" Slot	5-3/8"
"9/16" Tegular/Lay-in	5-3/16"
15/16" Tegular/Lay-in	5-1/2"

Fixture Length	2FT	3FT	4FT	5FT	6FT	7FT	8FT
"Rough IN" Length For Flange & Trimless Only	24-7/16"	36-7/16"	48-7/16"	60-7/16"	72-7/16"	84-7/16"	96-7/16"



# ARX Linear LED Recessed Luminaires

INSTALLATION INSTRUCTIONS FOR MOUNTING IN TEE GRID AND JOINING FIXTURES

## Linear Fixtures

Install hanger brackets with slider studs and nut on each side of fixture approximately 4" inches in from the ends. For 9/16" lay-in grid place smaller gap side of bracket towards grid. For other grids place wider gap side towards grid.

Set fixture into opening between Tee Grid. After the fixture is set, screw in #8 self threading screws in hanger bracket and attach support wiring (by others) to the building and fixtures.

Bring conduit and conduit fitting (supplied by others) to the power feed hole location at the end of the housing or in end cap. Make the electrical connections to the building power using the starter harness and plug into the fixture thru harness. Use the wiring diagram included to identify wiring.

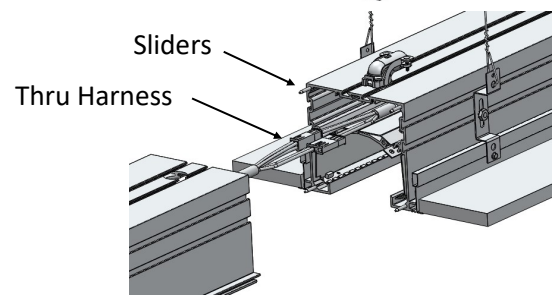
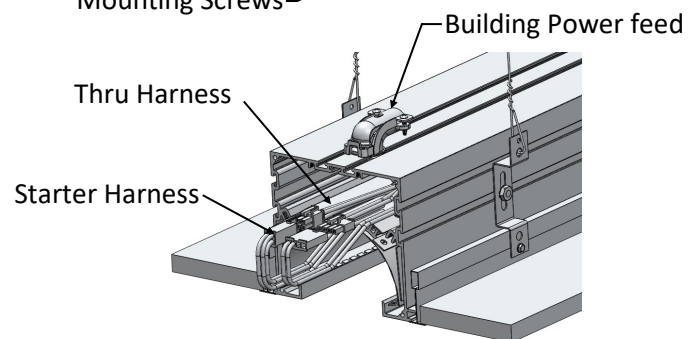
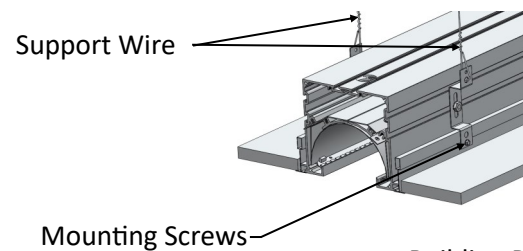
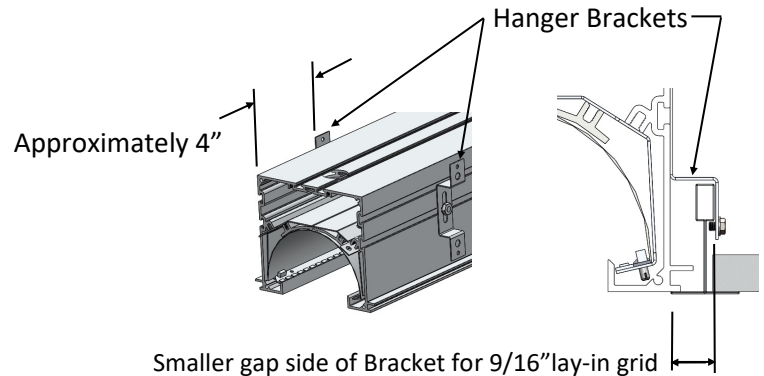
For row mounting fixtures attach male end of harness to female end of harness.

Slide fixtures together using pins that extend from fixtures to insure proper alignment.

Screw internal reflectors down to joining fixture.

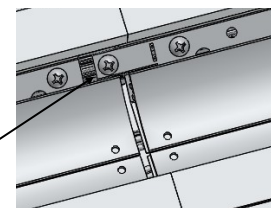
Tuck harness at end of rows and attach end caps using supplied screws.

Grid end caps can be adjusted for lay in or Slot T configurations (use extra holes to adjust)

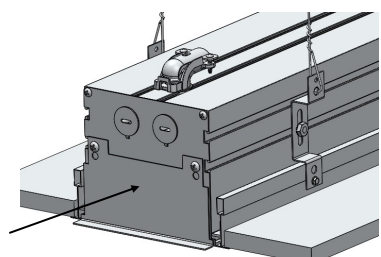


### Inside View

Fasten extended reflector tabs to joining fixture.  
Break tab at end of run.



Fasten end cap to end of run

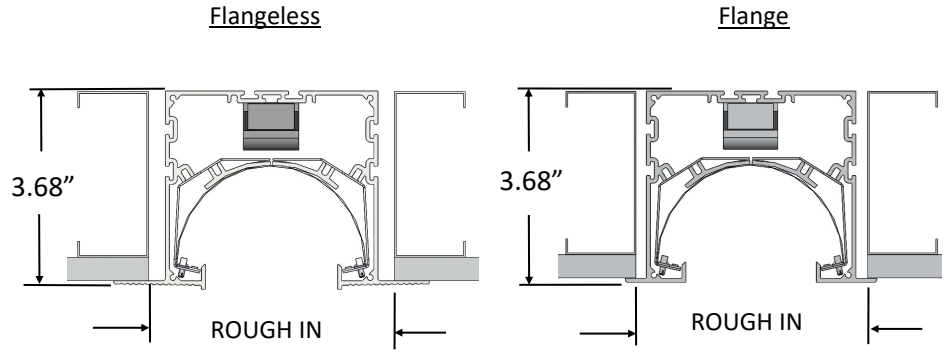


# ARX Linear LED Recessed Luminaires

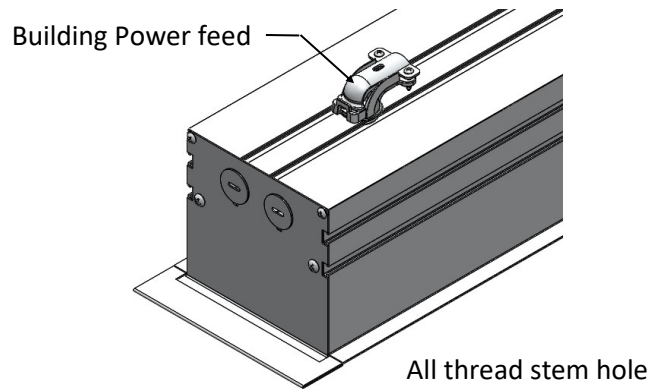
## INSTALLATION INSTRUCTIONS FOR MOUNTING IN HARD CEILING AND JOINING FIXTURES

### Linear Fixtures

Prepare wall/ceiling with proper rough-in width openings (see chart).

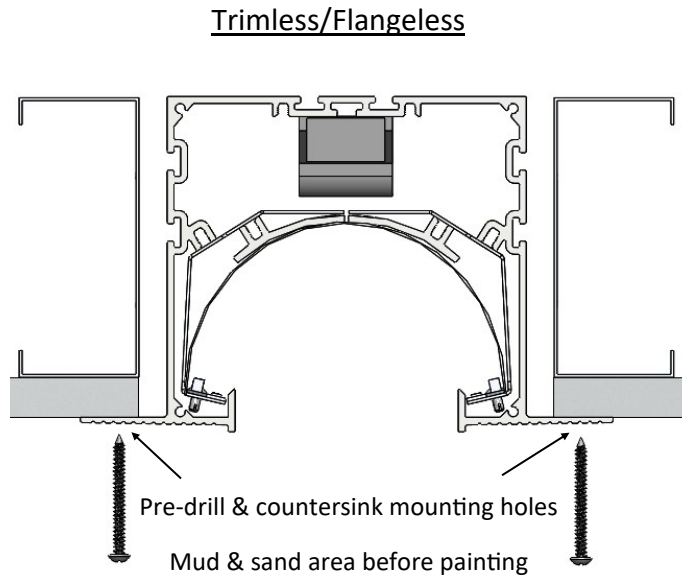
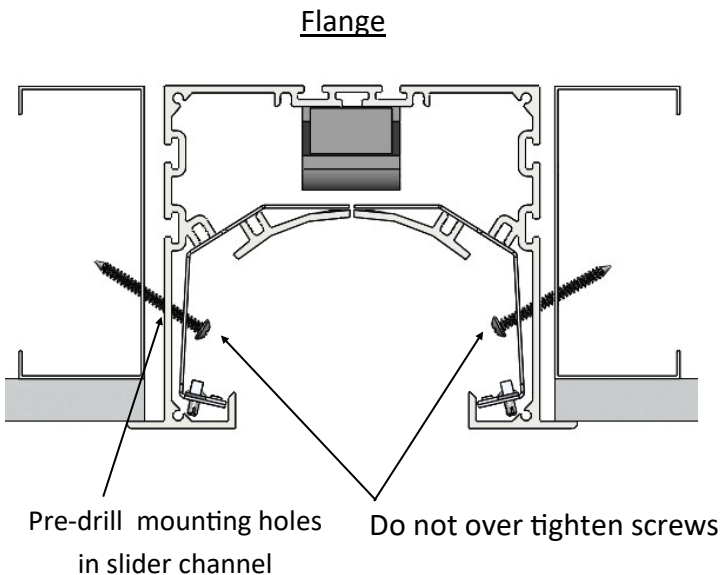
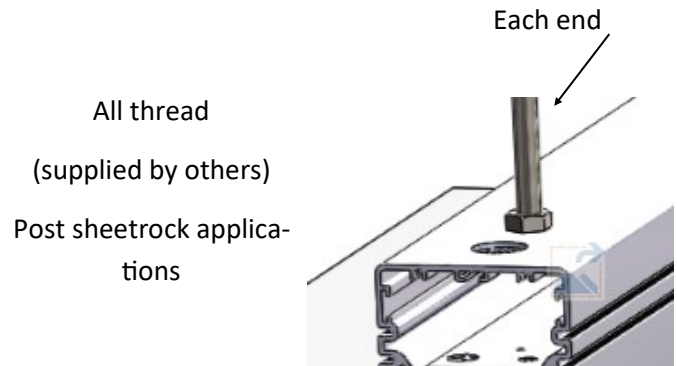


Install building power feed conduit and fitting (supplied by others) thru top side of housing or thru end cap of 1st fixture in the continuous run. Make the electrical connections to the building power using the starter harness and plug into the fixture thru harness. Use the wiring diagram included to identify wiring.



Insert fixture in rough-in opening and fasten fixture (hardware supplied by others) to building studs.

- Center fixture in opening
- **Pre-drill holes for screws and countersink 3/16" for Trimless fixture (if needed)**

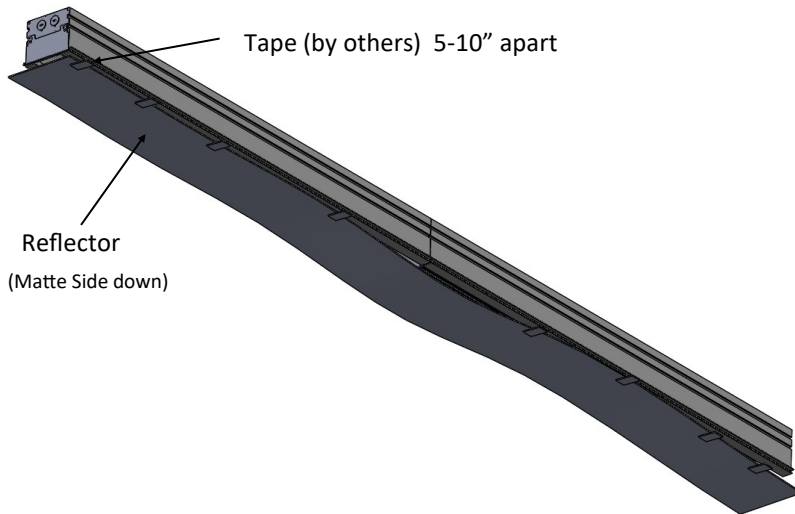


# ARX Linear LED Recessed Luminaires

## INSTALLATION INSTRUCTIONS FOR MOUNTING IN HARD CEILING AND JOINING FIXTURES (Continued)

### Linear Fixtures

#### INSTALLATION INSTRUCTIONS FOR REFLECTOR FILM



Cotton Gloves (by others)



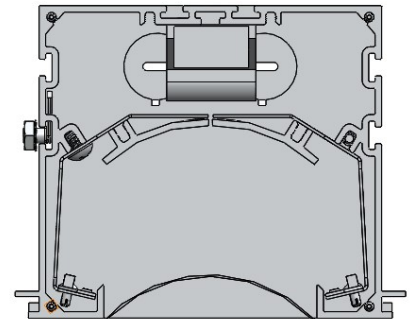
Reflector Roll

After fixture is hung in place.

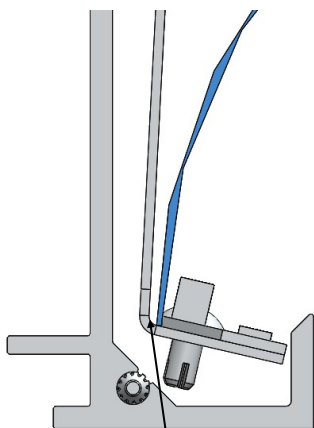
Roll out reflector material with Matte side down and tape (by others) to bottom of housing.

Using cotton gloves, gently tuck reflector in place by pushing upward and tucking the reflector behind the LED boards.

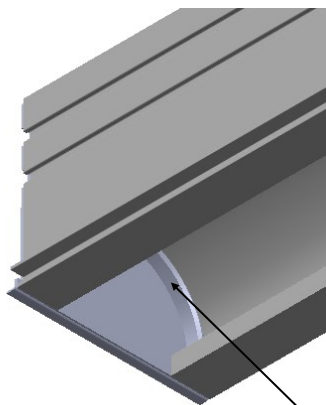
Trim cut the end to match the length of the fixture run. Tuck reflector under endcap ledge to hide cut ends by sliding reflector under.



Push Reflector upward and remove tape



Tuck Reflector behind LED on both sides of Fixture



Tuck reflector under ledge

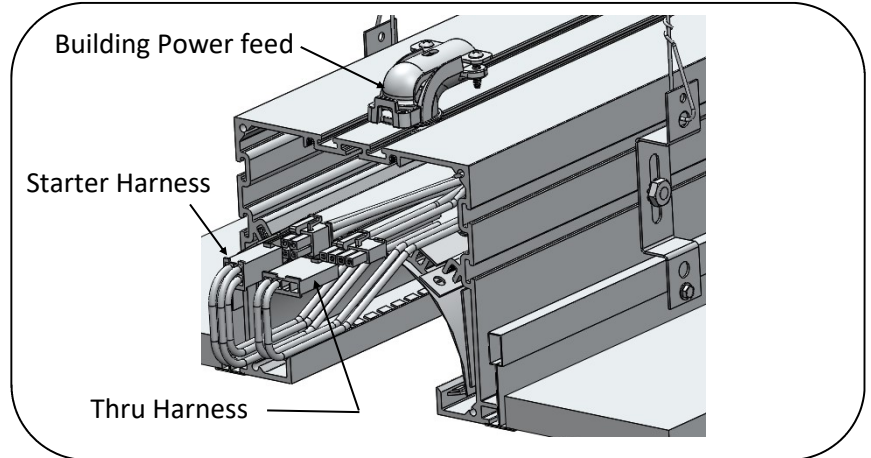
## Installation Instruction Sheet

### Linear Fixtures

#### INSTALLATION INSTRUCTIONS FOR POWER FEED

For feed, attach the building power to the starter harness and plug into fixture thru harness. Attach dimming harness where dimming is required.

Wire and connect Flange and Trimless fixtures as shown on grid instruction section.



For special circuitry consult factory	
LINE WIRE COLOR	CIRCUIT DESCRIPTION
BLK	CIRCUIT A—HOT
WHT	CIRCUIT A & B— NEUTRAL
RED	CIRCUIT B— HOT
GRN	GROUNDING
VLT	DIMMING CONTROL 1
GRY	DIMMING CONTROL 2
ORG	EHS or EHF—HOT
WHT/ORG	EHS or EHF— NEUTRAL

Compliant to UL 1598



### General Wiring Diagram

